

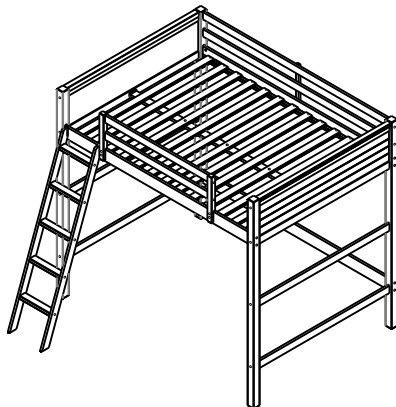
FULL SIZE LOFT BED

Model Number:	UPC Code:	Color:
DA8237	0-65857-18842-4	ESPRESSO
DA8237W	0-65857-18843-1	WHITE
DA8237BK	0-65857-20237-3	BLACK
DA8237BL	0-65857-20238-0	BLUE
DA8237GR	0-65857-24420-5	GRAY

Congratulations on your latest furniture purchase! **Dorel Living** furniture has been developed with quality, convenience and style in mind. We trust it will provide you with many years of exceptional comfort and service.

Before beginning assembly, we encourage you to familiarize yourself with your new furniture piece by taking a few minutes to go through this booklet. It contains important information on our warranty and care tips to keep your furniture looking as good as new.

For more great furniture ideas, check out our website at www.dorelliving.com
 You can also keep up to date on all the latest trends by liking our [Facebook page](#)
 and [Instagram page](#).



<small>Distributed by / Distribué par:</small> Dorel Asia Inc. <small>410 East First Street, South, Wright City, MO, USA 63390</small>	
Model / Modèle:	DA8237/DA8237BK DA8237BL/DA8237W DA8237GR
Factory / Usine:	136832
Date of / de Production:	2020/06
IM #:	B34DA823702
Color:	Espresso/Black Blue/White Gray
<small>Made in Brazil / Fabriqué au Brésil</small>	

Date of Purchase: ____ / ____ / ____ Lot Number: _____

Instruction Manual number : B34DA823703-136832 (located on carton)

Questions, concerns, missing parts? Customer satisfaction is important to us at Dorel Asia. **CONTACT OUR CUSTOMER SERVICE DEPARTMENT BEFORE RETURNING PRODUCT TO THE RETAILER.**

cs@dhpffurniture.com
1-800-267-1739

Monday to Friday 9:00 am to 9:00 pm (Eastern Time)
 Saturday 10 am to 6:30 pm (Eastern Time)
 Sunday 11 am to 7 pm (Eastern Time)

DHP Consumer Services
 12345 Albert-Hudon Boulevard, Suite 100
 Montreal, Québec, Canada, H1G 3L1

NOTE: THIS INSTRUCTION BOOKLET CONTAINS **IMPORTANT** SAFETY INFORMATION. PLEASE READ AND KEEP FOR FUTURE REFERENCE.

CUSTOMER SERVICE

You can also contact us by writing to the address listed below. Please include the product model number, color and a detailed description of your enquiry.

Dorel Living - Customer Service Department
12345 Albert-Hudon Boulevard, Suite 100
Montreal, Quebec
Canada, H1G 3L1

NOTES AND INSTALLATION

- * READ EACH STEP CAREFULLY BEFORE STARTING. IT IS VERY IMPORTANT THAT EACH STEP OF INSTRUCTION IS PERFORMED IN THE CORRECT ORDER. IF THESE STEPS ARE NOT FOLLOWED IN SEQUENCE, ASSEMBLY DIFFICULTIES WILL OCCUR AND CAN RESULT IN INJURY.
- * **CAUTION:** ADULT ASSEMBLY REQUIRED.
- * MAKE SURE ALL PARTS ARE INCLUDED. WORK IN SPACIOUS AREA, PREFERABLY ON A SMOOTH SOFT SURFACE.
- * ASSEMBLY WILL REQUIRE TWO PEOPLE.
- * MOST BOARD PARTS ARE LABELED OR STAMPED ON THE RAW EDGE.
- * PHILLIPS SCREWDRIVER (NOT INCLUDED) IS REQUIRED.
- * A RUBBER Mallet (NOT INCLUDED) IS RECOMMENDED TO FACILITATE ASSEMBLY.
- * BED IS DESIGNED FOR CHILDREN RANGING FROM 6 YEARS OF AGE TO YOUNG TEENAGERS.

CARE, CLEANING AND MAINTENANCE

Dust regularly with a soft, dry cloth. We do not recommend the use of chemical cleaners or wax on our lacquered furniture as it may damage the finish. Keep solvents, alcohol, nail polish and polish removers away from your hardwood furniture surfaces.

Check all bolts, screws and fasteners periodically and tighten them if necessary.

1-YEAR LIMITED WARRANTY

Dorel warrants its product to be free from defects in material and workmanship and agrees to remedy any such defect. This warranty covers 1 year from the date of original purchase from authorized retailers. This warranty is valid only upon presentation of proof of purchase. This is solely limited to the repair or replacement of defective furniture components and no assembly labor is included. This warranty does not apply to any product which has been improperly assembled, subjected to misuse or abuse or which has been altered or repaired in any way. The warranty does not cover wearing, tearing, fading or splitting of the fabric (where applicable). This warranty gives you specific legal rights and you may also have other rights which vary from State to State or Province to Province.



WARNING: Should this product become damaged, and/or components are broken or missing, DO NOT USE.



WARNING

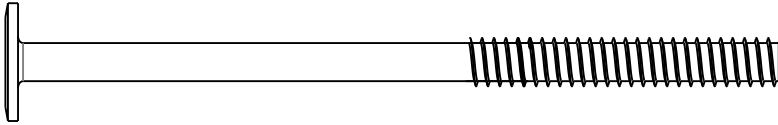
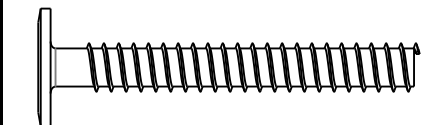
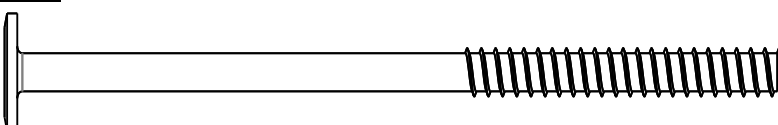
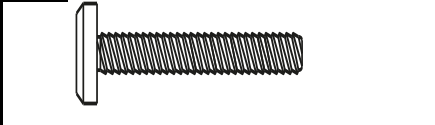
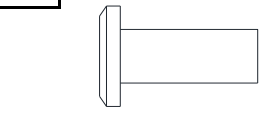
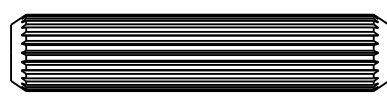

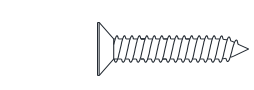
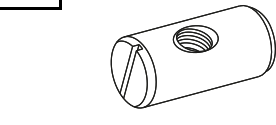
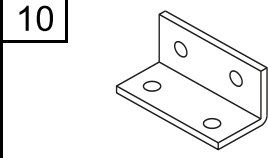
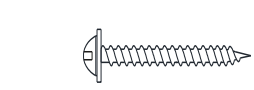
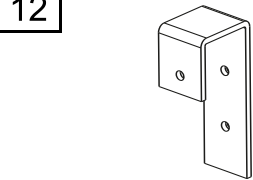
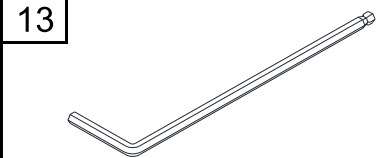
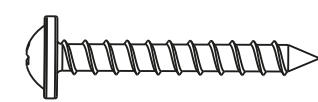
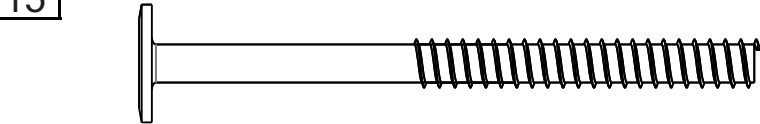
- * **STRANGULATION HAZARD** - NEVER ATTACH OR HANG ITEMS TO ANY PART OF THE BUNK BED THAT ARE NOT DESIGNED FOR USE WITH THE BED; FOR EXAMPLE, BUT NOT LIMITED TO, HOOKS, BELTS AND JUMP ROPES.
- * FOLLOW THE INFORMATION ON THE WARNINGS APPEARING ON THE UPPER BUNK END STRUCTURE AND ON THE CARTON. DO NOT REMOVE WARNING LABEL FROM BED.
- * THE MATTRESS PLATFORM IS DESIGNED TO SUPPORT A MATTRESS WITHOUT THE NEED FOR A POSTURE BOARD OR BOX SPRING.
- * ALWAYS USE THE RECOMMENDED SIZE MATTRESS OR MATTRESS SUPPORT, OR BOTH, TO HELP PREVENT THE LIKELIHOOD OF ENTRAPMENT OR FALLS.
- * USE ONLY MATTRESSES WHICH ARE 74.5"-75.5" LONG AND 53" - 54" WIDE. ENSURE THICKNESS OF MATTRESS DOES NOT EXCEED 6". SURFACE OF MATTRESS MUST BE AT LEAST 5" (127MM) BELOW THE UPPER EDGE OF GUARDRAILS.

- * DO NOT ALLOW CHILDREN UNDER 6 YEARS OF AGE TO USE THE UPPER BUNK.
- * ALWAYS USE GUARDRAILS ON BOTH LONG SIDES OF THE UPPER BUNK. IF THE BUNK BED WILL BE PLACED NEXT TO THE WALL, THE GUARDRAIL THAT RUNS THE FULL LENGTH OF THE BED SHOULD BE PLACED AGAINST THE WALL TO PREVENT ENTRAPMENT BETWEEN THE BED AND WALL (APPLICABLE FOR BUNK BEDS WITH FULL LENGTH GUARDRAILS ON ONE SIDE).
- * PERIODICALLY CHECK AND ENSURE THAT THE GUARDRAIL, LADDER AND OTHER COMPONENTS ARE IN THEIR PROPER POSITION, FREE FROM DAMAGE, AND THAT ALL CONNECTORS ARE TIGHT.
- * DO NOT ALLOW HORSEPLAY ON OR UNDER THE BED AND PROHIBIT JUMPING ON THE BED.
- * DO NOT USE SUBSTITUTE PARTS. CONTACT CUSTOMER SERVICE FOR REPLACEMENT PARTS.

- * USE OF A NIGHT LIGHT MAY PROVIDE ADDED SAFETY PRECAUTION FOR A CHILD USING THE UPPER BUNK.
- * THE USE OF WATER OR SLEEP FLOTATION MATTRESSES IS PROHIBITED.
- * ALWAYS USE THE LADDER FOR ENTERING AND LEAVING THE UPPER BUNK.
- * PROHIBIT MORE THAN ONE PERSON ON UPPER BUNK.
- * KEEP THESE INSTRUCTIONS FOR FUTURE USE.

FULL SIZE LOFT BED


HARDWARE LIST


<p>1</p>  <p>Ø1/4" X 15 X 100 mm</p>		<p>2</p>  <p>6.5mm x 48mm</p>
<p>WOOD JOINT CONNECTORS 12 PCS</p>		<p>WOOD JOINT CONNECTORS 10 PCS</p>
<p>3</p>  <p>6.5mm x 100mm</p>		<p>4</p>  <p>Ø1/4" X 15 X 30 mm</p>
<p>WOOD JOINT CONNECTORS 20 PCS</p>		<p>WOOD JOINT CONNECTORS 7 PCS</p>
<p>5</p>  <p>Ø1/4 X 15 x 20 mm</p>	<p>6</p>  <p>Ø10 x 50 mm</p>	<p>7</p>  <p>Ø4 x 35 mm</p>
<p>CAP 7 PCS</p>	<p>WOOD DOWEL 24 PCS</p>	<p>WOOD SCREW 26 PCS</p>
<p>8</p>  <p>Ø4 x 20 mm</p>	<p>9</p>  <p>Ø1/4" x 12 x 15 mm</p>	<p>10</p> 
<p>WOOD SCREW 6 PCS</p>	<p>BARREL NUT 12 PCS</p>	<p>L BRACKET 2 PCS</p>
<p>11</p>  <p>Ø4 x 20 mm</p>	<p>12</p> 	<p>13</p> 
<p>WOOD SCREW 8 PCS</p>	<p>LADDER HOOK 2 PCS</p>	<p>ALLEN KEY 1 PC</p>
<p>14</p>  <p>4mm x 35mm</p>	<p>15</p>  <p>6.5mm x 80mm</p>	
<p>WOOD SCREW 3 PCS</p>	<p>WOOD JOINT CONNECTORS 4 PCS</p>	

FULL SIZE LOFT BED

Hardware Pack


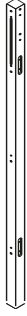


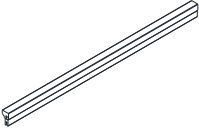

DA8237W (White)	# de Paquete : <input type="checkbox"/> TDA8237W-00
DA8237 (Espresso) DA8237BK (Black) DA8237BL (Blue) DA8237GR (Gray)	# de Paquete : <input checked="" type="checkbox"/> TDA8237BK-00

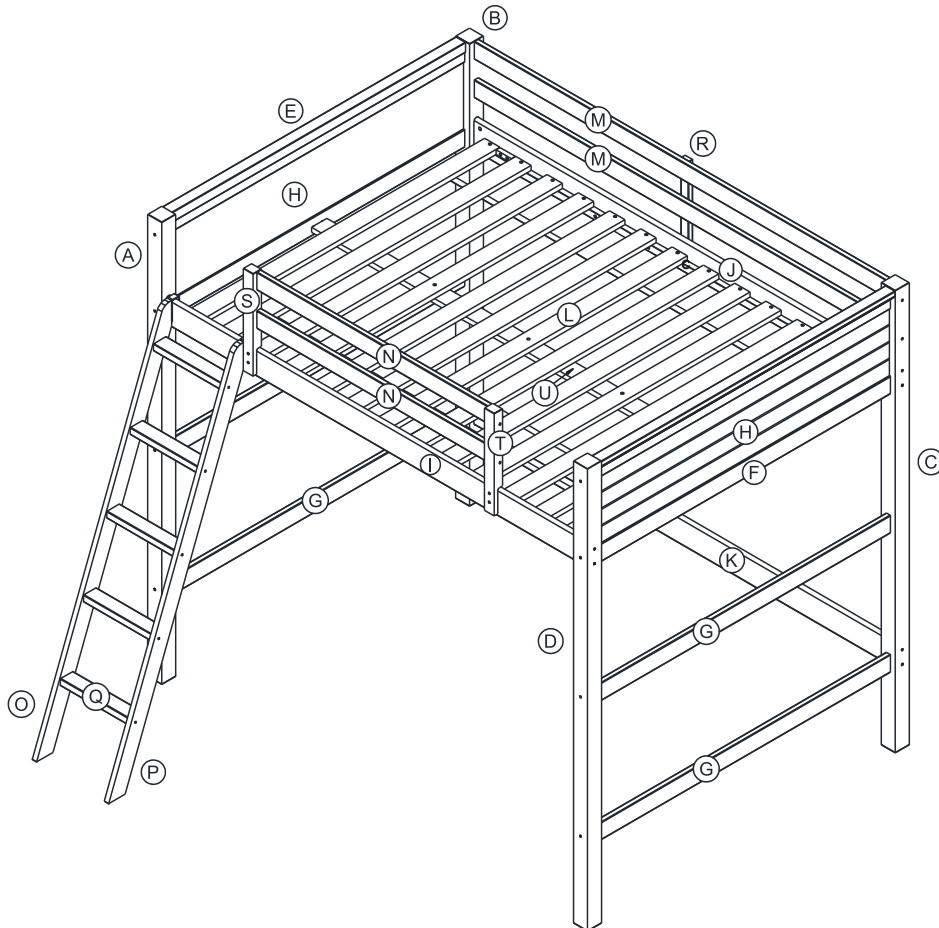
 Please do not completely tighten all the hardware, until the entire assembly is complete, unless otherwise indicated in the step-by-step instructions.

 The screw(s), bolt(s) to be used at each step are shown in actual size in the lower right corner of the page.

FULL SIZE LOFT BED

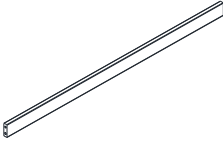
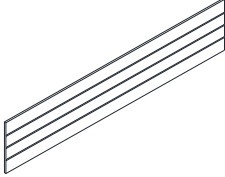
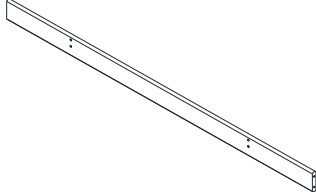
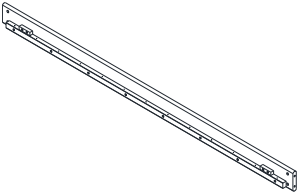
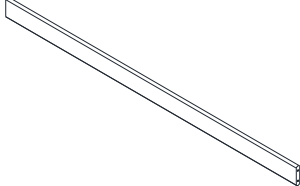
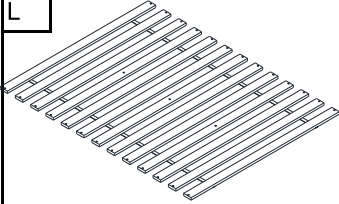
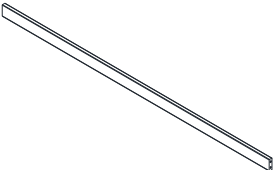
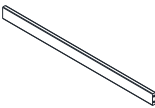


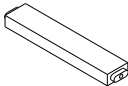



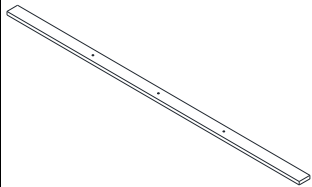
PARTS LIST

		
<p>FRONT LEFT POST 1 PC</p>	<p>BACK LEFT POST 1 PC</p>	<p>BACK RIGHT POST 1 PC</p>
		
<p>FRONT RIGHT POST 1 PC</p>	<p>HEADBOARD TOP CROSS 2 PCS</p>	<p>HEADBOARD CENTER CROSS 2 PCS</p>



FULL SIZE LOFT BED

PARTS LIST

		
<p>HEADBOARD BOTTOM CROSS 4 PCS</p>	<p>HEADBOARD PANEL 2 PCS</p>	<p>TOP SIDE RAIL (with 4 holes) 1 PC</p>
		
<p>TOP SIDE RAIL (with 1 hole) 1 PC</p>	<p>BOTTOM SIDE RAIL 1 PC</p>	<p>SLATS 1 PC</p>
		
<p>LONG GUARDRAIL 2 PCS</p>	<p>SHORT GUARDRAIL 2 PCS</p>	<p>LEFT LADDER END 1 PC</p>
		
<p>RIGHT LADDER END 1 PC</p>	<p>LADDER STEP 5 PCS</p>	<p>GUARDRAIL LEG 1 PC</p>
		
<p>LEFT SHORT GUARDRAIL POST 1 PC</p>	<p>RIGHT SHORT GUARDRAIL POST 1 PC</p>	<p>SLATS SUPPORT 1 PC</p>

FULL SIZE LOFT BED

PARTS

For replacement parts, visit www.dhpfurniture.com/spa/replacement-parts

IMPORTANT: Each part has a unique part number. Please reference the appropriate part number when contacting customer service for replacement parts.

PART NUMBERS					
PART LABELS	DA8237 (Espresso)	DA8237W (White)	DA8237BK (Black)	DA8237BL (Blue)	DA8237GR (Gray)
A	T994670	T994880	T995090	T995300	T995510
B	T994680	T994890	T995100	T995310	T995520
C	T994690	T994900	T995110	T995320	T995530
D	T994700	T994910	T995120	T995330	T995540
E	T994710	T994920	T995130	T995340	T995550
F	T994720	T994930	T995140	T995350	T995560
G	T994730	T994940	T995150	T995360	T995570
H	T994740	T994950	T995160	T995370	T995580
I	T994750	T994960	T995170	T995380	T995590
J	T994760	T994970	T995180	T995390	T995600
K	T994770	T994980	T995190	T995400	T995610
L	T994780	T994990	T995200	T995410	T995620
M	T994790	T995000	T995210	T995420	T995630
N	T994800	T995010	T995220	T995430	T995640
O	T994810	T995020	T995230	T995440	T995650
P	T994820	T995030	T995240	T995450	T995660
Q	T994830	T995040	T995250	T995460	T995670
R	T994840	T995050	T995260	T995470	T995680
S	T994850	T995060	T995270	T995480	T995690
T	T994860	T995070	T995280	T995490	T995700
U	T994870	T995080	T995290	T995500	T995710

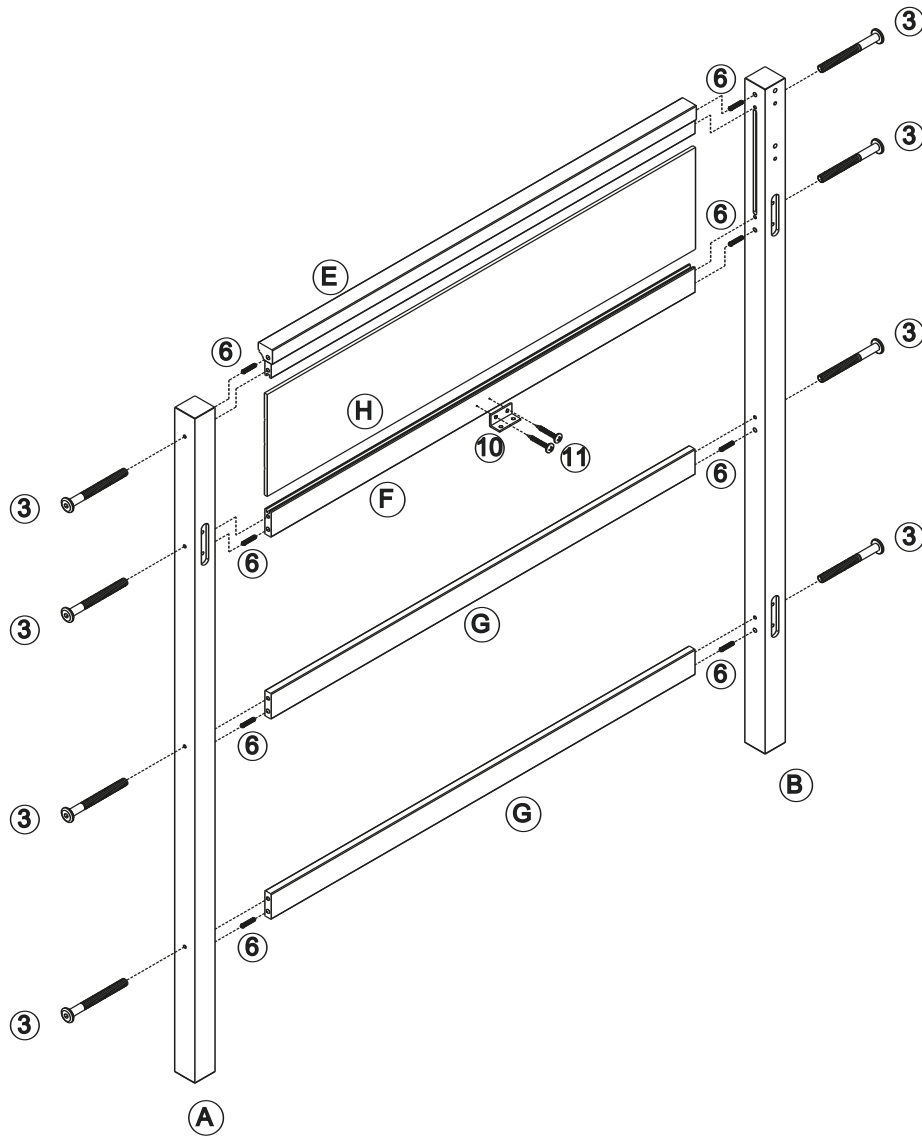
FULL SIZE LOFT BED

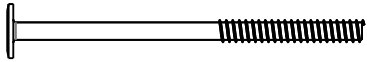


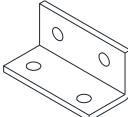
STEP 1

Insert wood dowels (6) into the ends of headboard top cross (E), headboard center cross (F) and headboard bottom cross (G).

Insert headboard panel (H) into the grooves of the headboard top cross (E) and headboard center cross (F). Attach the assembled headboard (E H F) and bottom crosses (G) to left posts (A & B) with wood joint connectors (3). Use Allen key (13) to tighten the wood joint connectors.

Attach the L bracket (10) on headboard center cross (F) with wood screw (11).



3		8 PCS
6		8 PCS
11		2 PCS
10		1 PC

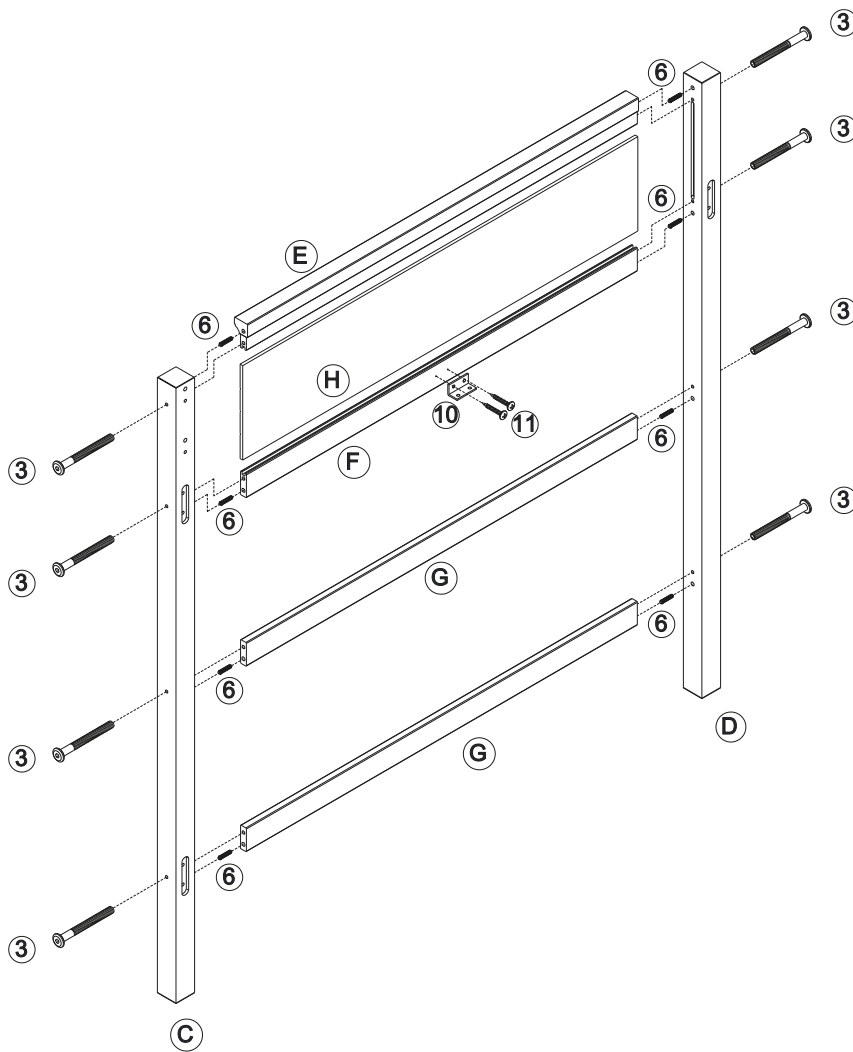
FULL SIZE LOFT BED

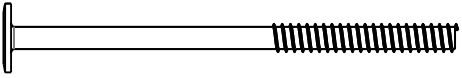


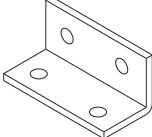
STEP 2

Insert wood dowels (6) into the ends of headboard top cross (E), headboard center cross (F) and headboard bottom cross (G).

Insert headboard panel (H) into the grooves of the headboard top cross (E) and headboard center cross (F). Attach the assembled headboard (E H F) and bottom crosses (G) to right posts (C & D) with wood joint connectors (3). Use the Allen key (13) to tighten the wood joint connectors.

Attach the L bracket (10) on headboard center cross (F) with wood screw (11).



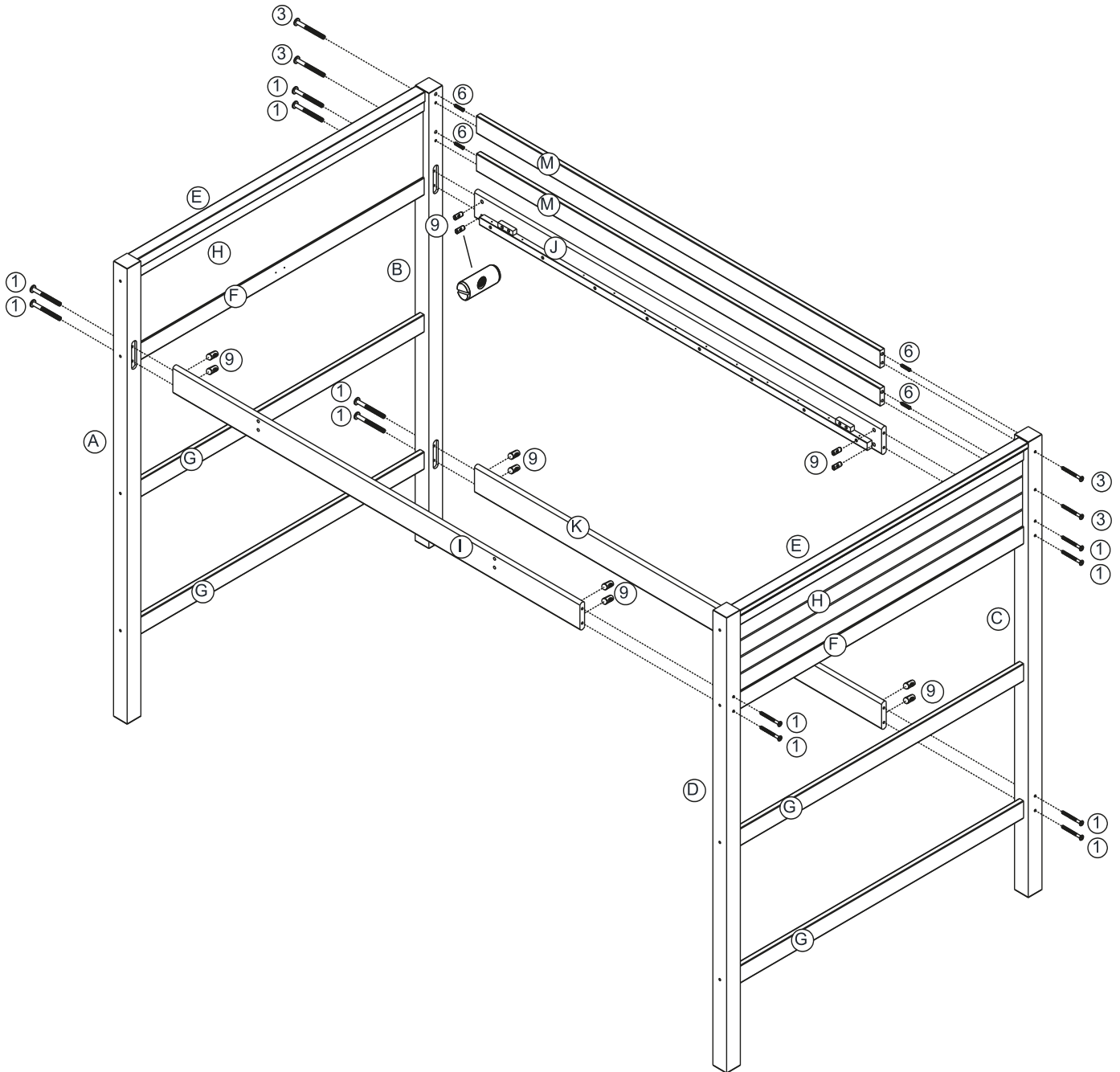
3		8 PCS
6		8 PCS
11		2 PCS
10		1 PC

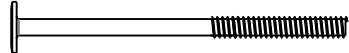
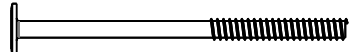


FULL SIZE LOFT BED

STEP 3

Insert wood dowels (6) into each end of the long guardrails (M). Attach long guardrails (M) to the back posts (B & C) with wood joint connectors (3) using Allen key (13).

Insert barrel nuts (9) into top side rails (I & J) and bottom side rail (K). Attach top side rail (J) and bottom side rail (K) to back posts (B & C) with wood joint connectors (1). Attach top side rail (I) to front posts (A & D) with wood joint connectors (1). Fasten all wood joint connectors with Allen key (13).



1		12 PCS
3		4 PCS
6		4 PCS
9		12 PC

FULL SIZE LOFT BED

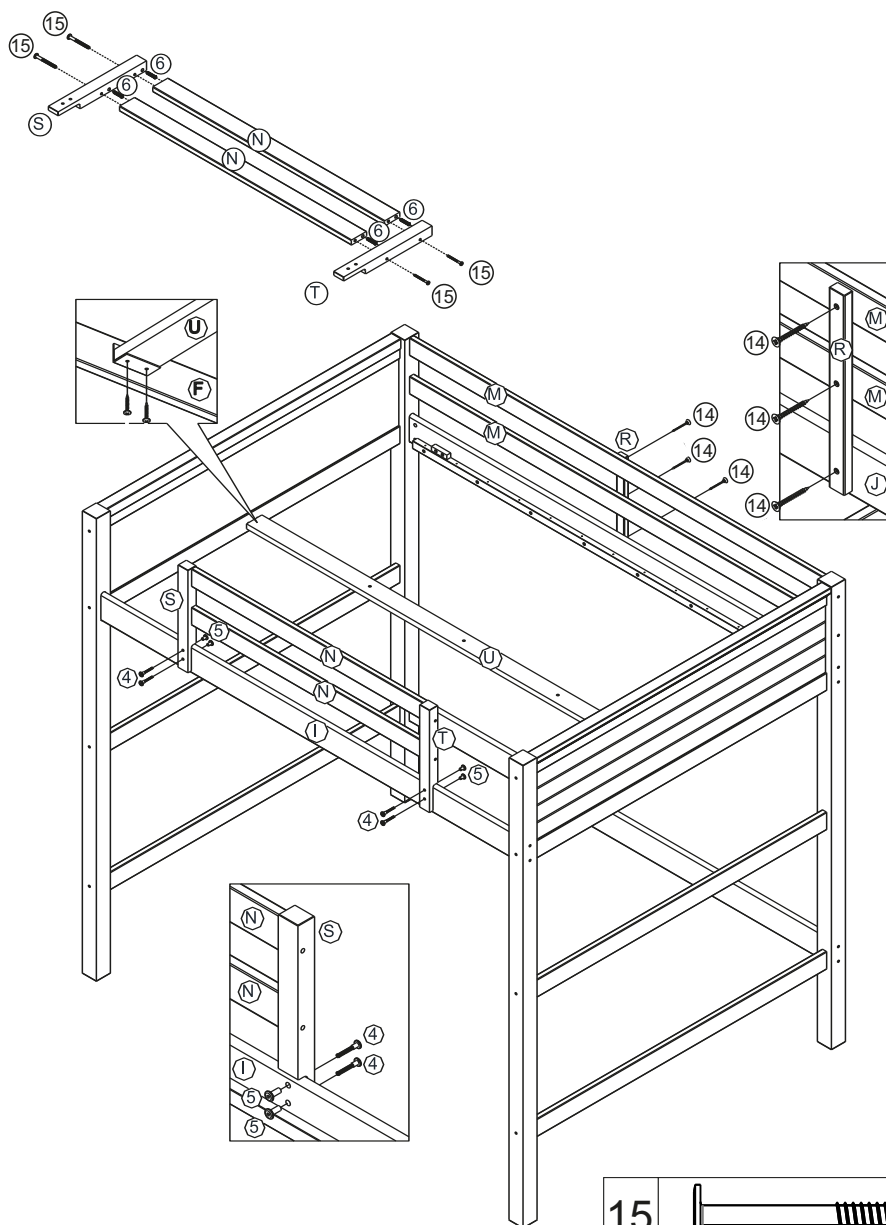
STEP 4

Insert wood dowels (6) into each end of the short guardrails (N). Attach short guardrails (N) to short guardrail posts (S & T) with wood joint connectors (15).

Fasten the short guardrail posts (S & T) to top side rail (I) with wood joint connectors (4) and cap (5) as shown below.

Attach the guardrail leg (R) to the long guardrails (M) and top side rail (J) with wood screw (14).

Attach slats support (U) to headboard center cross (F) with wood screw (11).



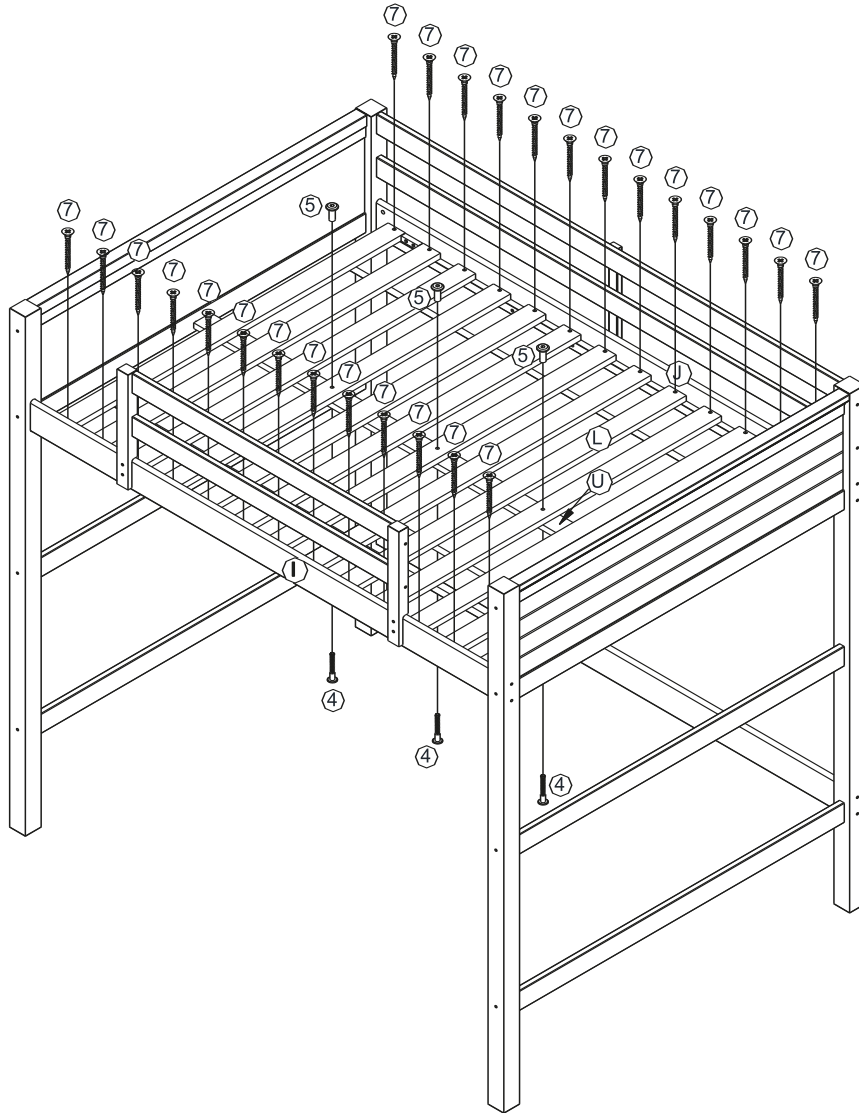
15		4 PCS
4		4 PCS
5		4 PCS
6		4 PCS
14		3 PCS
11		4 PCS

FULL SIZE LOFT BED

STEP 5

Attach slat (L) onto top side rails (I & J) with wood screw (7).

Attach the slat support (U) and slat (L) with wood joint connectors (4) and cap (5). Fasten all wood joint connectors with Allen key (13).

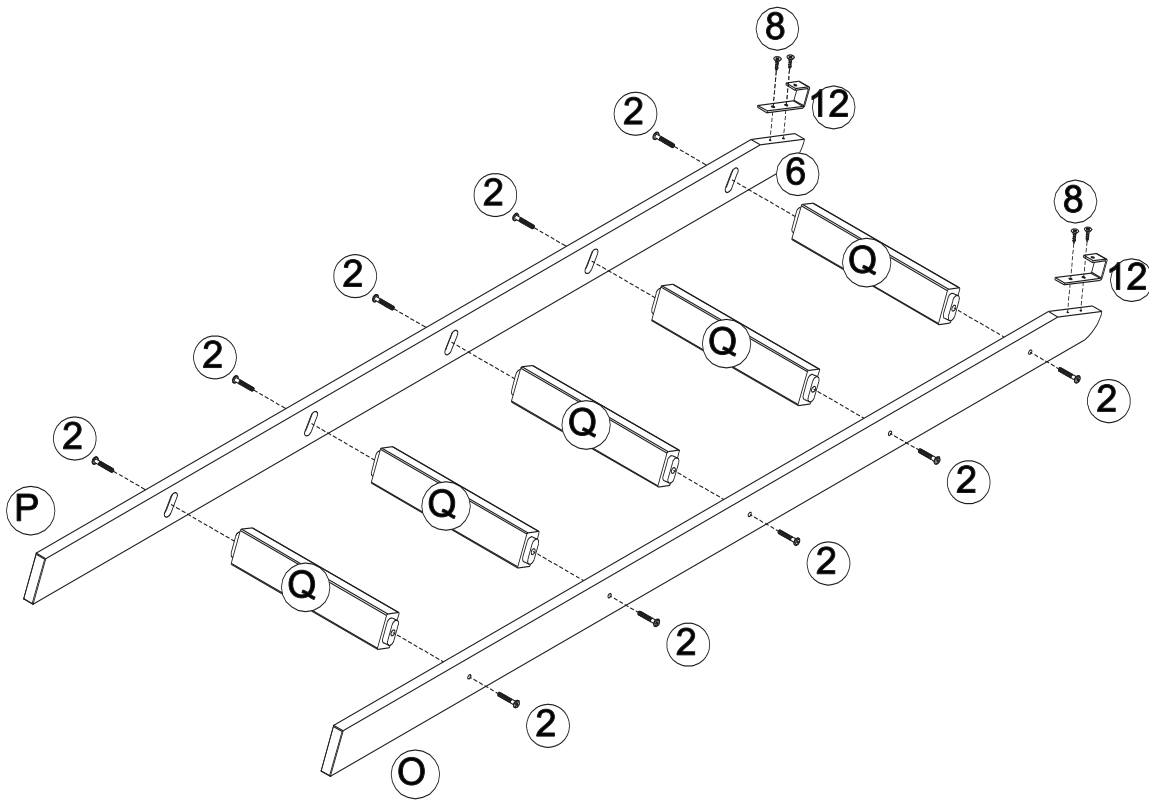




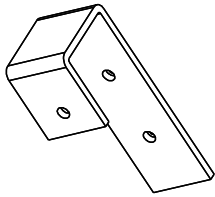
4		3 PCS
5		3 PCS
7		26 PCS

FULL SIZE LOFT BED

STEP 6

To assemble the ladder, insert ladder steps (Q) to the end of each ladder rail (O & P). Attach left ladder rail (O) and right ladder rail (P) to ladder steps (Q) with wood joint connectors (2). Attach ladder hook (12) to ladder rails (O & P) with screw (8).



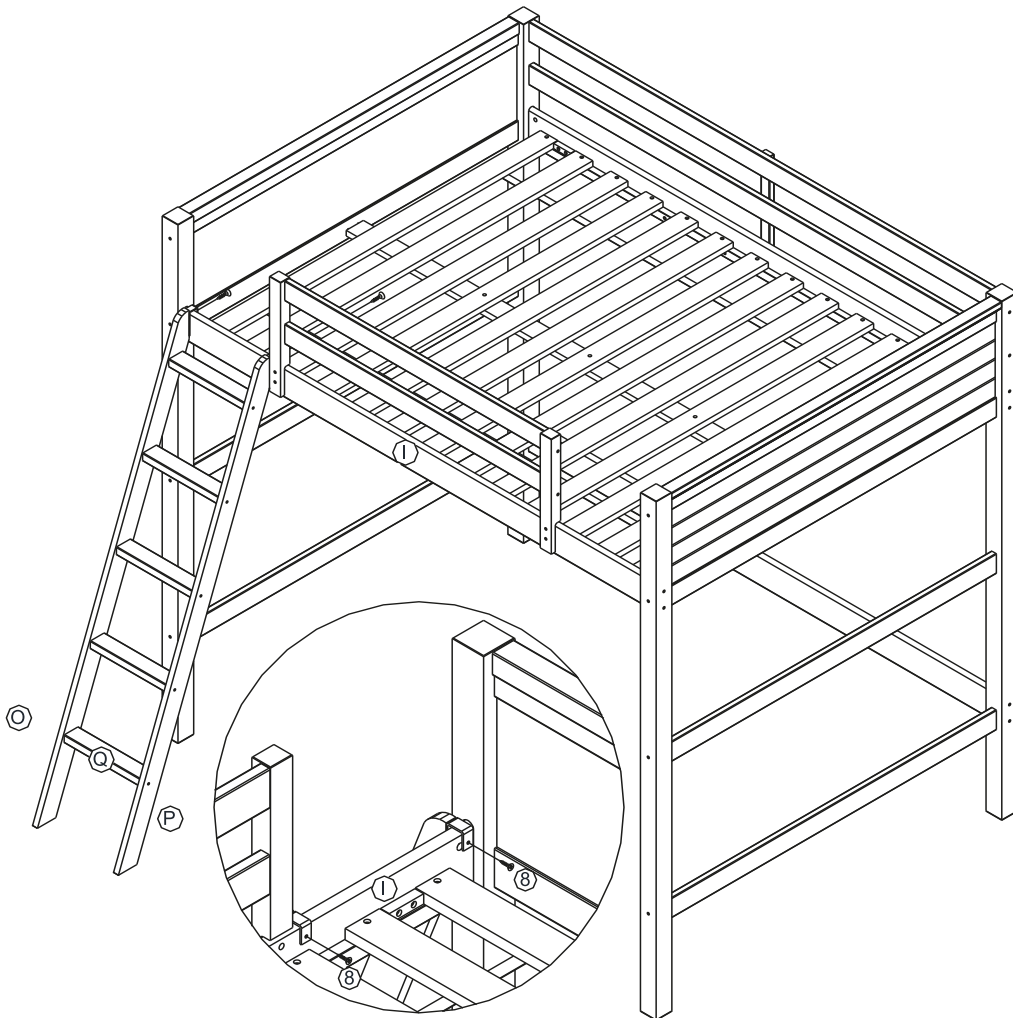
2		10 PCS
8		4 PCS
12		2 PCS

FULL SIZE LOFT BED

STEP 7

Choose the side on which you prefer to install the ladder.

Then, attach the ladder to the top side rail (I) with wood screws (8), as shown below.



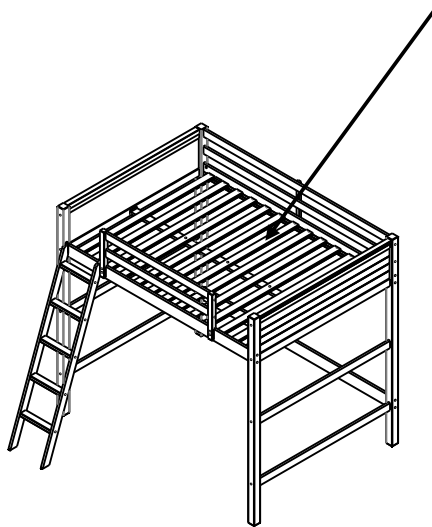
8		2 PCS
---	---	-------

FULL SIZE LOFT BED

! **CAUTION:** This unit is intended for use only with the products and/or maximum weights indicated. Use with other products and/or products heavier than the maximum weights indicated may result in instability or cause possible injury.

DO NOT ALLOW HORSEPLAY ON OR UNDER THE BED AND PROHIBIT JUMPING ON THE LOFT

DO NOT ALLOW CHILDREN UNDER 6 YEARS OF AGE TO USE THE UPPER BUNK. BED IS DESIGNED FOR CHILDREN RANGING FROM 6 YEARS OF AGE TO YOUNG TEENAGERS.



USE ONLY COIL SPRING MATTRESSES ON THE LOFT BED. FAILURE TO DO SO CAN RESULT IN INJURY.

USE ONLY MATTRESSES WHICH ARE 74 1/2"-75 1/2" LONG AND 53" - 54" WIDE ON UPPER BED . ENSURE THICKNESS OF MATTRESS DOES NOT EXCEED 6".

That's it! You've finished assembling your bunk bed.

DO NOT RETURN PRODUCT TO THE STORE.

If a part is missing or damaged, contact our customer service department.

We will replace the part **FREE** of charge.

Tel #: 1-800-267-1739

E-Mail: cs@dhpffurniture.com

CAMA LITERA LOFT DOBLE

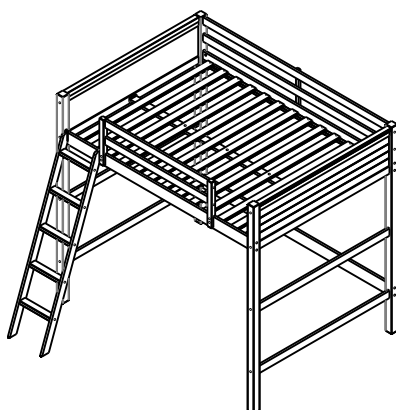
Modelo No:	Codigo UPC:	Color:
DA8237	0-65857-18842-4	ESPRESSO
DA8237W	0-65857-18843-1	BLANCO
DA8237BK	0-65857-20237-3	NEGRO
DA8237BL	0-65857-20238-0	AZUL
DA8237GR	0-65857-24420-5	GRIS

¡Felicitaciones por su nueva compra de un mueble! Los muebles de la línea **Dorel Living** han sido diseñados con la calidad, la comodidad y el estilo en mente. Estamos seguros de que este mueble le servirá por muchos años con su comodidad excepcional.

Le recomendamos que antes de comenzar a armarlo se familiarice con su nueva compra y tome unos minutos de su tiempo para leer este manual. Contiene información importante sobre nuestra garantía y consejos de cuidados para que su mueble siempre conserve su apariencia de nuevo.

Para obtener más ideas de muebles inspirantes, visite nuestro sitio web en www.dorelliving.com

También puede mantenerse informado de todas las últimas tendencias suscribiéndose a nuestra página en [Facebook y Instagram](#).



Fecha de compra: ____ / ____ / ____

Número de lote: _____
(tomado del cartón)

Número del Manual de Instrucciones : B34DA823703-136832

Preguntas, inquietudes, partes que faltan? La satisfacción del cliente es importante para nosotros en Dorel Asia. **CONTACTE NUESTRO DEPARTAMENTO DE SERVICIO AL CLIENTE ANTES DE DEVOLVER EL PRODUCTO A LA TIENDA.**

cs@dhpffurniture.com
1-800-267-1739

Lunes - Viernes 9:00 am to 9:00 pm (hora del este)
Sábado 10 am to 6:30 pm (hora del este)
Domingo 11 am to 7 pm (hora del este)

DHP Consumer Services
12345 Albert-Hudon Boulevard, Suite 100
Montreal, Québec, Canada, H1G 3L1

NOTA: ESTE MANUAL DE INSTRUCCIONES CONTIENE INFORMACIÓN DE SEGURIDAD IMPORTANTE. POR FAVOR, LÉALO Y CONSÉRVELO PARA CONSULTARLO EN EL FUTURO.

SERVICIO AL CLIENTE

También puede contactarnos escribiendo a la dirección que figura a continuación. Por favor incluya el número de modelo del producto, el color y una descripción detallada de su pregunta.

DHP Consumer Services
12345 Albert-Hudon Boulevard, Suite 100
Montreal, Quebec
Canada, H1G 3L1

NOTAS E INSTALACIÓN

- * LEA ATENTAMENTE CADA ETAPA ANTES DE COMENZAR. ES MUY IMPORTANTE QUE CADA ETAPA SE LLEVE A CABO EN EL ORDEN CORRECTO. SI ESTAS ETAPAS NO SE SIGUEN EN ORDEN, PUEDEN SURGIR DIFICULTADES PARA ARMAR LA CAMA Y CAUSAR LESIONES A LOS NIÑOS QUE LA USAN.
- * **ADVERTENCIA:** DEBE SER ARMADA POR UN ADULTO.
- * ASEGÚRESE DE TENER TODAS LAS PIEZAS. TRABAJE EN UN LUGAR ESPACIOSO, DE PREFERENCIA SOBRE UNA SUPERFICIA LISA Y SUAVE.
- * SE NECESITARÁN DOS PERSONAS PARA ARMARLA.
- * LA MAYORÍA DE LAS PIEZAS DE MADERA ESTÁN ETIQUETADAS O MARCADAS DEL LADO RÚSTICO.
- * SE NECESITA UN DESTORNILLADOR EN CRUZ (NO INCLUIDO).
- * SE RECOMIENDA EL USO DE UNA MAZA DE CAUCHO (NO INCLUIDA) PARA FACILITAR EL TRABAJO DE ASAMBLAJE.
- * LA CAMA ESTÁ DISEÑADA PARA NIÑOS DESDE 6 AÑOS HASTA LA ADOLESCENCIA TEMPRANA.

CUIDADO, LIMPIEZA Y MANTENIMIENTO

Limpie regularmente con un paño suave y seco. No recomendamos el uso de limpiadores químicos o ceras en nuestros muebles laqueados, ya que pueden dañar el acabado. Mantenga los disolventes, el alcohol, el esmalte de uñas y los removedores de esmalte lejos de las superficies de sus muebles de madera.

Revise todos los pernos, tornillos y sujetadores periódicamente y apriételos si es necesario.

GARANTÍA LIMITADA DE 1 AÑO

Dorel garantiza que este producto está libre de defectos de material y mano de obra y se compromete a remediar cualquier defecto de este tipo. Esta garantía cubre 1 año a partir de la fecha de compra original. Esta garantía es válida solamente con presentación de una prueba de compra. Esto se limita a la reparación o reemplazo de componentes defectuosos del mueble y no se incluye ningún trabajo de ensamblaje. Esta garantía no se aplica a ningún producto que haya sido mal ensamblado, sujeto a mal uso o abuso, o que haya sido alterado o reparado de cualquier manera. Cualquier uso, rotura o pérdida de color de la tela no están incluidos en esta garantía (donde corresponda). Esta garantía le da derechos legales específicas y usted puede también tener otros derechos que varían de estado a estado o de provincia a provincia.



ADVERTENCIA: Si este producto está dañado y/o ciertas piezas faltan o están rotas, NO LO USE.

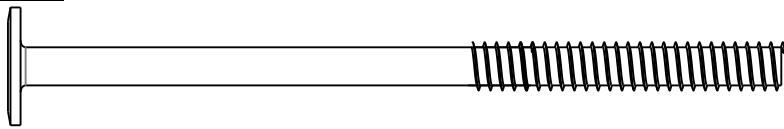
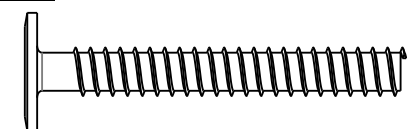
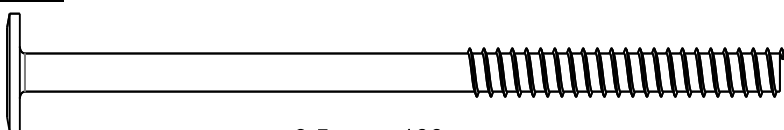
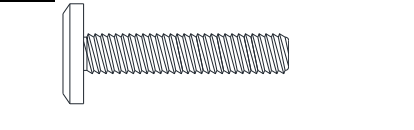
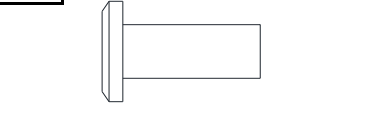
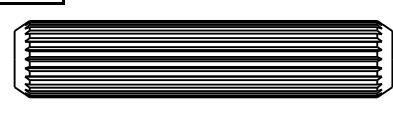
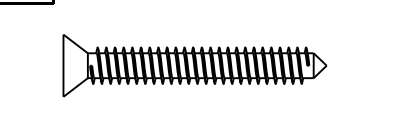
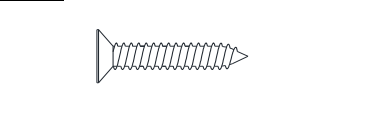
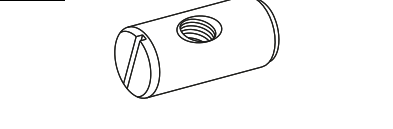
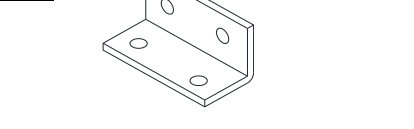
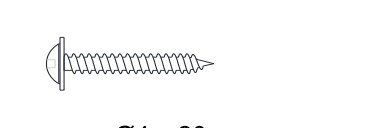
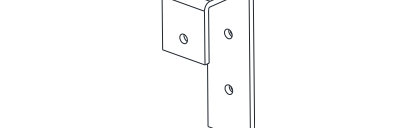
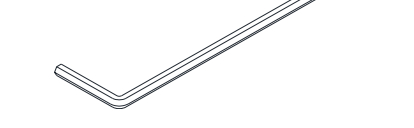
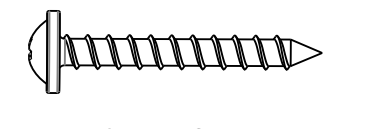
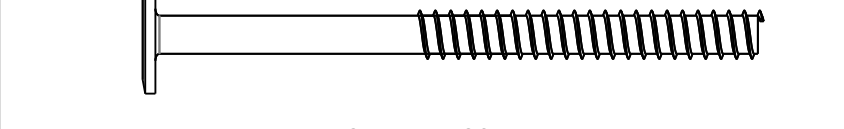


ADVERTENCIA

- * **PELIGRO DE ESTRANGULAMIENTO** - NUNCA CUELQUE O ATE EN LA CAMA ARTÍCULOS QUE NO ESTÉN DISEÑADOS PARA USARLOS CON LA CAMA; POR EJEMPLO, PERO NO LIMITADO A ESTO, GANCHOS, CINTURONES Y CUERDAS DE SALTAR.
- * SIGA LA INFORMACIÓN DE LAS ADVERTENCIAS INSCRITAS EN LA ESTRUCTURA DE LA CUCHETA SUPERIOR Y EN EL CARTÓN. NO RETIRE LA ETIQUETA DE ADVERTENCIAS DE LA CAMA.
- * LA BASE DEL COLCHÓN ESTÁ DISEÑADA PARA SOPORTAR UN COLCHÓN SIN NECESIDAD DE USAR UNA TABLA PARA MANTENER LA POSICIÓN O UN SOPORTE CON RESORTES
- * SIEMPRE UTILICE EL TAMAÑO DE COLCHÓN O DE SOPORTE DE COLCHÓN RECOMENDADO, O LOS DOS, PARA EVITAR LA POSIBILIDAD DE CAÍDAS O QUE EL NIÑO QUEDE ATRAPADO.
- * UTILICE ÚNICAMENTE COLCHONES DE 189-191 CM (74.5"-75.5") DE LARGO Y 134-137 CM (53" - 54") DE ANCHO. ASEGÚRESE DE QUE EL ESPESOR DEL COLCHÓN NO EXCEDA 15 CM (6"). LA SUPERFICIE DEL COLCHÓN DEBE QUEDAR POR LO MENOS 5" (127MM) POR DEBAJO DEL BORDE SUPERIOR DEL MARCO DE LAS CUCHETAS.
- * NO PERMITA QUE NIÑOS MENORES DE 6 AÑOS DUERMAN EN LA CUCHETA SUPERIOR.
- * SIEMPRE UTILICE LAS BARANDAS EN LOS DOS LADOS DE LA CUCHETA SUPERIOR. SI LA CUCHETA ESTÁ COLOCADA AL LADO DE UNA PARED, LA BARANDA QUE CUBRE EL LADO LARGO DE LA CUCHETA DEBE SER COLOCADA CONTRA LA PARED PARA EVITAR QUE EL NIÑO QUEDE ATRAPADO ENTRE LA CAMA Y LA PARED (ESTO SE APLICA A LAS CUCHETAS CON BARANDA LARGA DE UN SOLO LADO).
- * VERIFIQUE LA CAMA PERIÓDICAMENTE Y ASEGÚRESE DE QUE EL CUADRO, LA ESCALERILLA Y OTROS COMPONENTES ESTÉN EN LA POSICIÓN CORRECTA, NO ESTÉN DAÑADOS Y TODAS LAS UNIONES ESTÉN BIEN AJUSTADAS.
- * NO PERMITA QUE LOS NIÑOS HAGAN PAYASADAS SOBRE O DEBAJO DE LA CAMA Y PROHIBA QUE SALTEN SOBRE ELLA.
- * NO UTILICE PIEZAS DE SUSTITUCIÓN. CONTACTE EL SERVICIO AL CLIENTE PARA OBTENER PIEZAS PARA REPLAZAR.
- * EL USO DE UNA VELADORA SIRVE COMO MEDIDA DE PRECAUCIÓN PARA EL NIÑO QUE UTILIZA LA CUCHETA SUPERIOR.
- * SE PROHIBE EL USO DE COLCHONES DE AGUA O COLCHONETAS DE FLOTACIÓN.
- * SIEMPRE UTILICE LA ESCALERILLA PARA SUBIR A LA CUCHETA SUPERIOR O BAJAR DE ELLA.
- * PROHIBA QUE MÁS DE UN NIÑO SUBA A LA CUCHETA SUPERIOR.
- * CONSERVE ESTAS INSTRUCCIONES PARA REFERENCIA FUTURA.

CAMA LITERA LOFT DOBLE

LISTA DE ACCESORIOS

<p>1</p>  <p>Ø1/4" X 15 X 100 mm</p>	<p>2</p>  <p>6.5mm x 48mm</p>		
<p>CONECTOR PARA MADERA 12 PZAS</p>		<p>CONECTOR PARA MADERA 10 PZAS</p>	
<p>3</p>  <p>6.5mm x 100mm</p>	<p>4</p>  <p>Ø1/4" X 15 X 30 mm</p>		
<p>CONECTOR PARA MADERA 20 PZAS</p>		<p>CONECTOR PARA MADERA 7 PZAS</p>	
<p>5</p>  <p>Ø1/4 X 15 x 20 mm</p>	<p>6</p>  <p>Ø10 x 50 mm</p>	<p>7</p>  <p>Ø4 x 35 mm</p>	
<p>PERNO DE BRIDA HEXAGONAL 7 PZAS</p>	<p>CLAVIJA DE MADERA 24 PZAS</p>	<p>TORNILLO PARA MADERA 26 PZAS</p>	
<p>8</p>  <p>Ø4 x 20 mm</p>	<p>9</p>  <p>Ø1/4" x 12 x 15 mm</p>	<p>10</p> 	
<p>TORNILLO PARA MADERA 6 PZAS</p>	<p>TUERCA BARRILETE 12 PZAS</p>	<p>ESCUADRA EN L 2 PZAS</p>	
<p>11</p>  <p>Ø4 x 20 mm</p>	<p>12</p> 	<p>13</p> 	
<p>TORNILLO PARA MADERA 8 PZAS</p>	<p>GANCHO ESCALERA 2 PZAS</p>	<p>LLAVE ALLEN 1 PZA</p>	
<p>14</p>  <p>4mm x 35mm</p>	<p>15</p>  <p>6.5mm x 80mm</p>		
<p>TORNILLO PARA MADERA 3 PZAS</p>	<p>CONECTOR PARA MADERA 4 PZAS</p>		

CAMA LITERA LOFT DOBLE

Paquete de componentes

de Paquete :

DA8237W (Blanco)	# de Paquete : <input type="checkbox"/> TDA8237W-00
DA8237 (Espresso) DA8237BK (Negro) DA8237BL (Azul) DA8237GR (Gris)	# de Paquete : <input checked="" type="checkbox"/> TDA8237BK-00







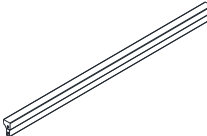
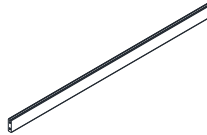
Nota: Por favor no apriete completamente los pernos hasta que el ensamblaje sea completado, a menos de que se indique específicamente en cada paso de las instrucciones.

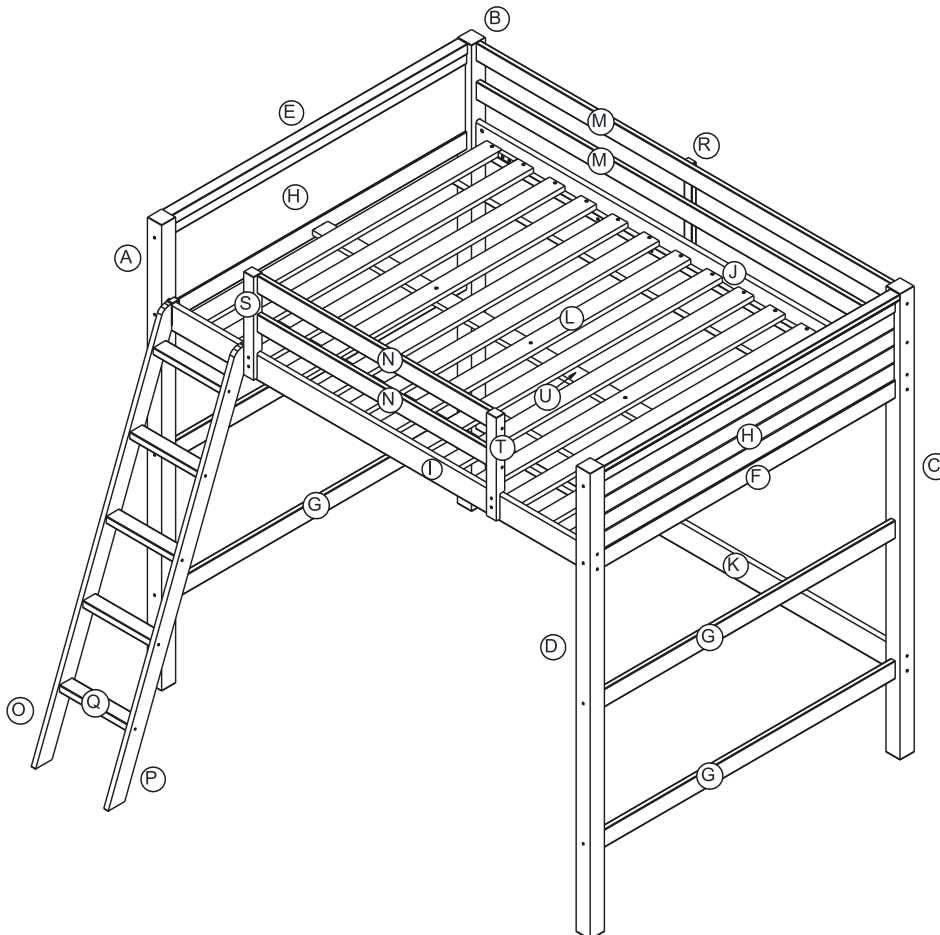


Los tornillo(s), perno(s) que se utilizan en cada paso se muestran en tamaño real en la esquina inferior derecha de cada página.

CAMA LITERA LOFT DOBLE

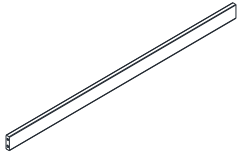
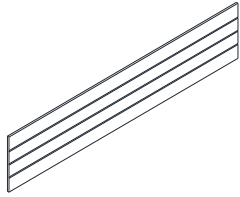
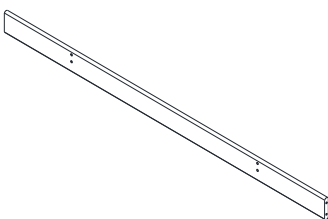
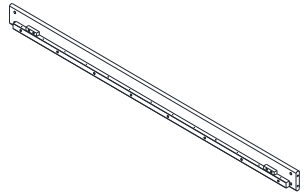
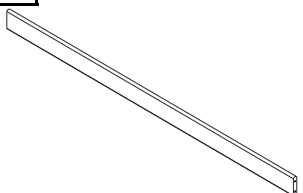
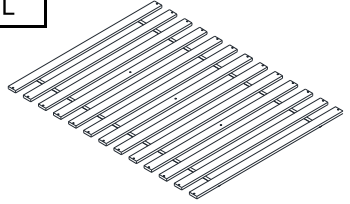
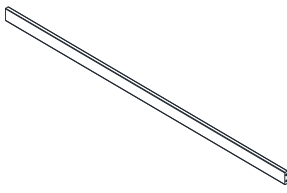
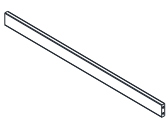


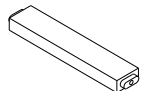



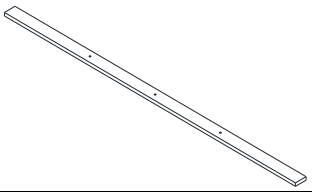
LISTA DE PIEZAS

<p>A</p> 	<p>B</p> 	<p>C</p> 
<p>PATA ANTERIOR IZQUIERDA 1 PZA</p>	<p>PATA POSTERIOR IZQUIERDA 1 PZA</p>	<p>PATA POSTERIOR DERECHA 1 PZA</p>
<p>D</p> 	<p>E</p> 	<p>F</p> 
<p>PATA ANTERIOR DERECHA 1 PZA</p>	<p>TRAVESAÑO SUPERIOR CABECERA 2 PZAS</p>	<p>TRAVESAÑO CENTRAL CABECERA 2 PZAS</p>



CAMA LITERA LOFT DOBLE

LISTA DE PIEZAS

<p>G</p> 	<p>H</p> 	<p>I</p> 
<p>TRAVESAÑO INFERIOR CABECERA 4 PZAS</p>	<p>CABECERA 2 PZAS</p>	<p>SOPORTE LATERAL SUPERIOR (con 4 agujeros) 1 PZA</p>
<p>J</p> 	<p>K</p> 	<p>L</p> 
<p>SOPORTE LATERAL SUPERIOR (con 1 agujero) 1 PZA</p>	<p>SOPORTE LATERAL INFERIOR 1 PZA</p>	<p>LISTONES 1 PZA</p>
<p>M</p> 	<p>N</p> 	<p>O</p> 
<p>BARANDA LARGA 2 PZAS</p>	<p>BARANDA CORTA 2 PZAS</p>	<p>LADO IZQUIERDO ESCALERA 1 PZA</p>
<p>P</p> 	<p>Q</p> 	<p>R</p> 
<p>LADO DERECHO ESCALERA 1 PZA</p>	<p>ESCALÓN 5 PZAS</p>	<p>SOPORTE BARANDA 1 PZA</p>
<p>S</p> 	<p>T</p> 	<p>U</p> 
<p>PATA BARANDA CORTA IZQUIERDA 1 PZA</p>	<p>PATA BARANDA CORTA DERECHA 1 PZA</p>	<p>SOPORTE LISTONES 1 PZA</p>

CAMA LITERA LOFT DOBLE

Partes

Piezas de reemplazo, visite www.dhpfurniture.com/spa/replacement-parts

IMPORTANTE: La lista de números de piezas que aparece a continuación es exclusiva de su producto. Por favor, manténgalo a mano cuando solicite piezas de repuesto.



Antes de deshacerse de las cajas de cartón, asegúrese de que estén vacías. También confirme que ha recibido todos los componentes necesarios para el ensamblaje al compararlos con la tabla de piezas indicadas en la sección en inglés.

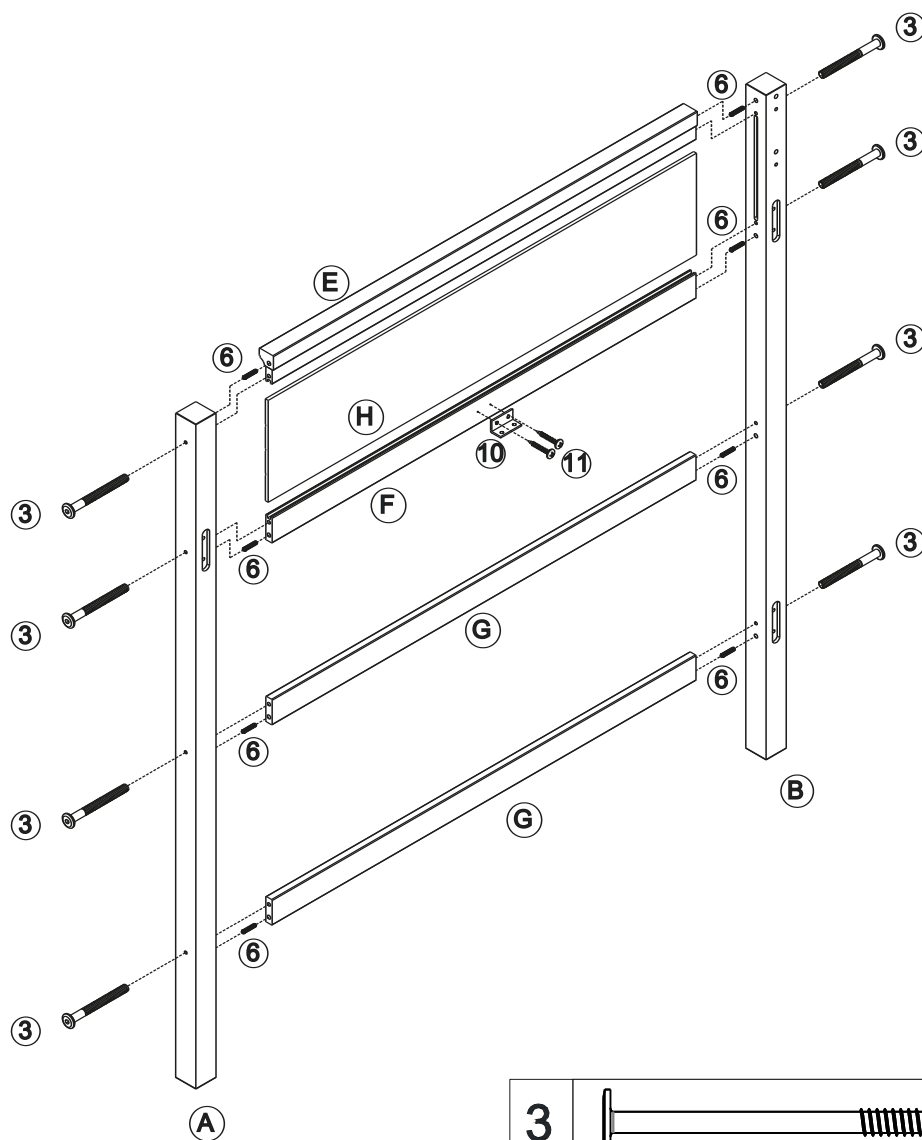
NÚMERO DE PIEZAS					
ETIQUETAS DE PIEZAS	DA8237 (Espresso)	DA8237W (Blanco)	DA8237BK (Negro)	DA8237BL (Azul)	DA8237GR (Gris)
A	T994670	T994880	T995090	T995300	T995510
B	T994680	T994890	T995100	T995310	T995520
C	T994690	T994900	T995110	T995320	T995530
D	T994700	T994910	T995120	T995330	T995540
E	T994710	T994920	T995130	T995340	T995550
F	T994720	T994930	T995140	T995350	T995560
G	T994730	T994940	T995150	T995360	T995570
H	T994740	T994950	T995160	T995370	T995580
I	T994750	T994960	T995170	T995380	T995590
J	T994760	T994970	T995180	T995390	T995600
K	T994770	T994980	T995190	T995400	T995610
L	T994780	T994990	T995200	T995410	T995620
M	T994790	T995000	T995210	T995420	T995630
N	T994800	T995010	T995220	T995430	T995640
O	T994810	T995020	T995230	T995440	T995650
P	T994820	T995030	T995240	T995450	T995660
Q	T994830	T995040	T995250	T995460	T995670
R	T994840	T995050	T995260	T995470	T995680
S	T994850	T995060	T995270	T995480	T995690
T	T994860	T995070	T995280	T995490	T995700
U	T994870	T995080	T995290	T995500	T995710

CAMA LITERA LOFT DOBLE

ETAPA 1

Inserte clavijas de madera (6) en los extremos del travesaño superior de cabecera (E), en los travesaños centrales de cabecera (F) y en los travesaños inferiores de cabecera (G). Inserte la cabecera (H) en las ranuras del travesaño superior de cabecera (E) y del travesaño central de cabecera (F).

Una la cabecera ensamblada (E, H, F) y los travesaños inferiores (G) con las patas izquierdas (A y B) con conectores para madera (3). Utilice la llave Allen (13) para ajustar los conectores para madera. Fije la escuadra en L (10) al travesaño central de cabecera (F) con tornillos para madera (11).



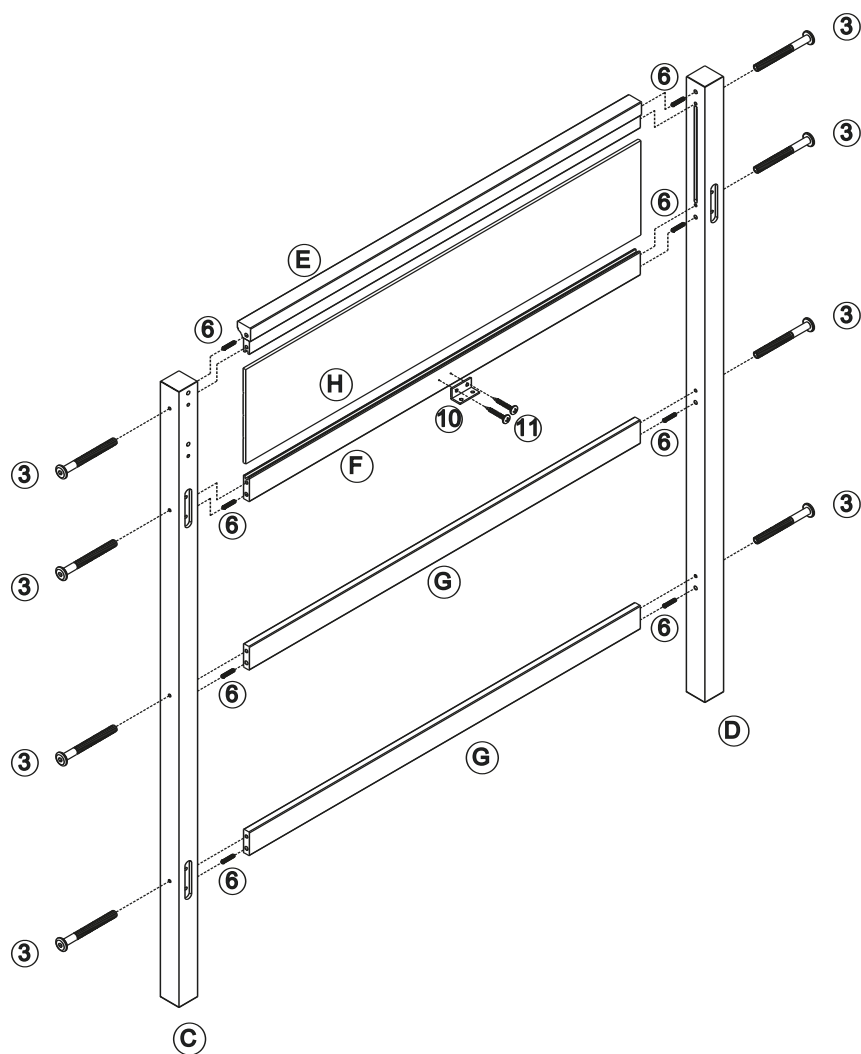
3		8 PZAS
6		8 PZAS
11		2 PZAS
10		1 PZA

CAMA LITERA LOFT DOBLE

ETAPA 2

Inserte clavijas de madera (6) en los extremos del travesaño superior de cabecera (E), en los travesaños centrales de cabecera (F) y en los travesaños inferiores de cabecera (G). Inserte la cabecera (H) en las ranuras del travesaño superior de cabecera (E) y del travesaño central de cabecera (F).

Una la cabecera ensamblada (E, H, F) y los travesaños inferiores de cabecera (G) con las patas derechas (C y D) con conectores para madera (3). Utilice la llave Allen (13) para ajustar los conectores para madera. Fije la escuadra en L (10) al travesaño central de cabecera (F) con tornillos para madera (11).



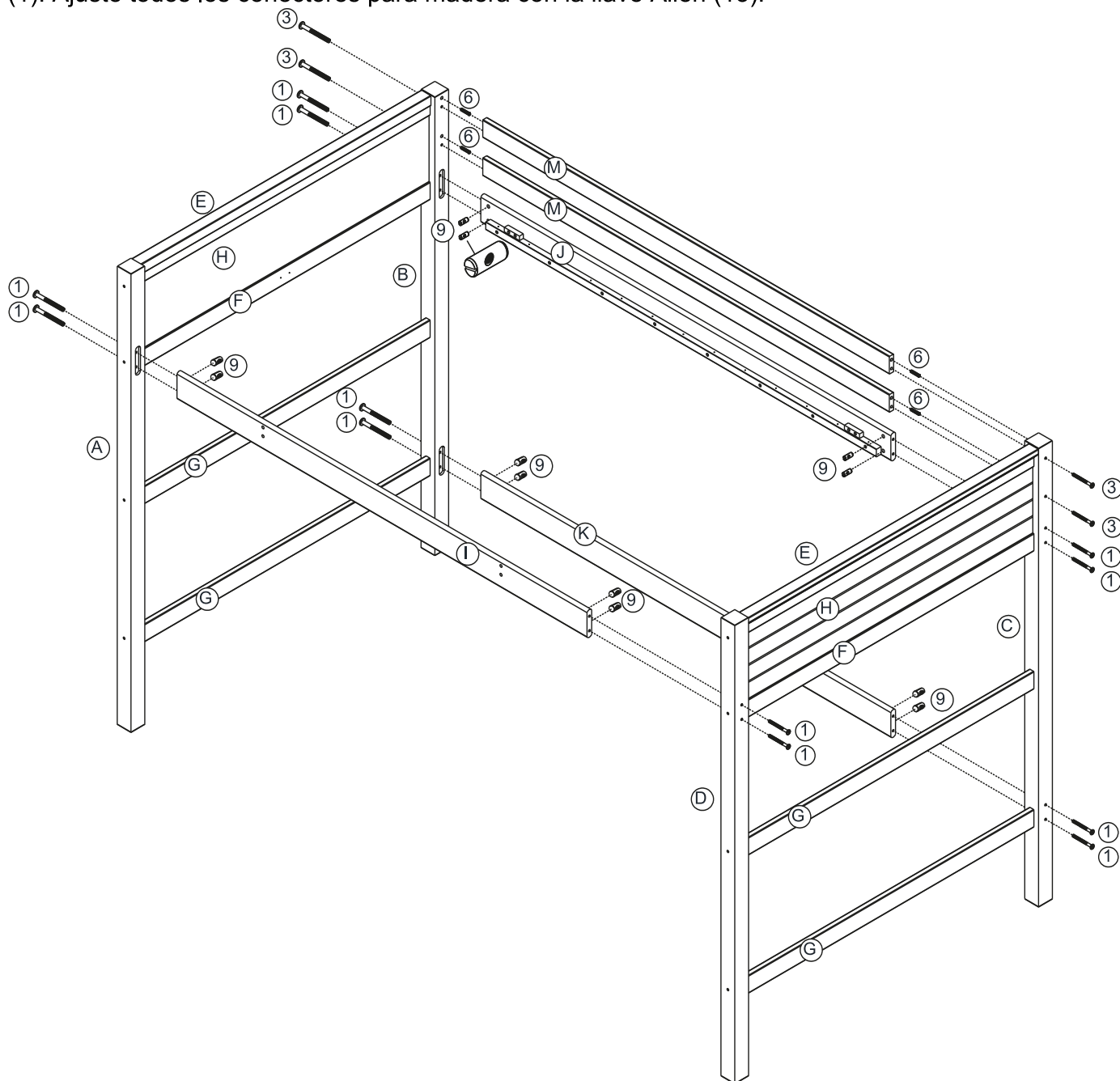
3		8 PZAS
6		8 PZAS
11		2 PZAS
10		1 PZA

CAMA LITERA LOFT DOBLE

ETAPA 3

Inserte clavijas de madera (6) en los extremos de las barandas largas (M). Fije las barandas largas (M) a las patas posteriores (B y C) con conectores para madera (3) con la llave Allen (13).

Inserte tuercas barrilete (9) en los soportes laterales superiores (I y J) y en el soporte lateral inferior (K). Fije el soporte lateral superior (J) y el soporte lateral inferior (K) a las patas posteriores (B y C) con conectores para madera (1). Fije el soporte lateral superior (I) a las patas anteriores (A y D) con conectores para madera (1). Ajuste todos los conectores para madera con la llave Allen (13).



1		12 PZAS
3		4 PZAS
6		4 PZAS
9		12 PZAS

CAMA LITERA LOFT DOBLE

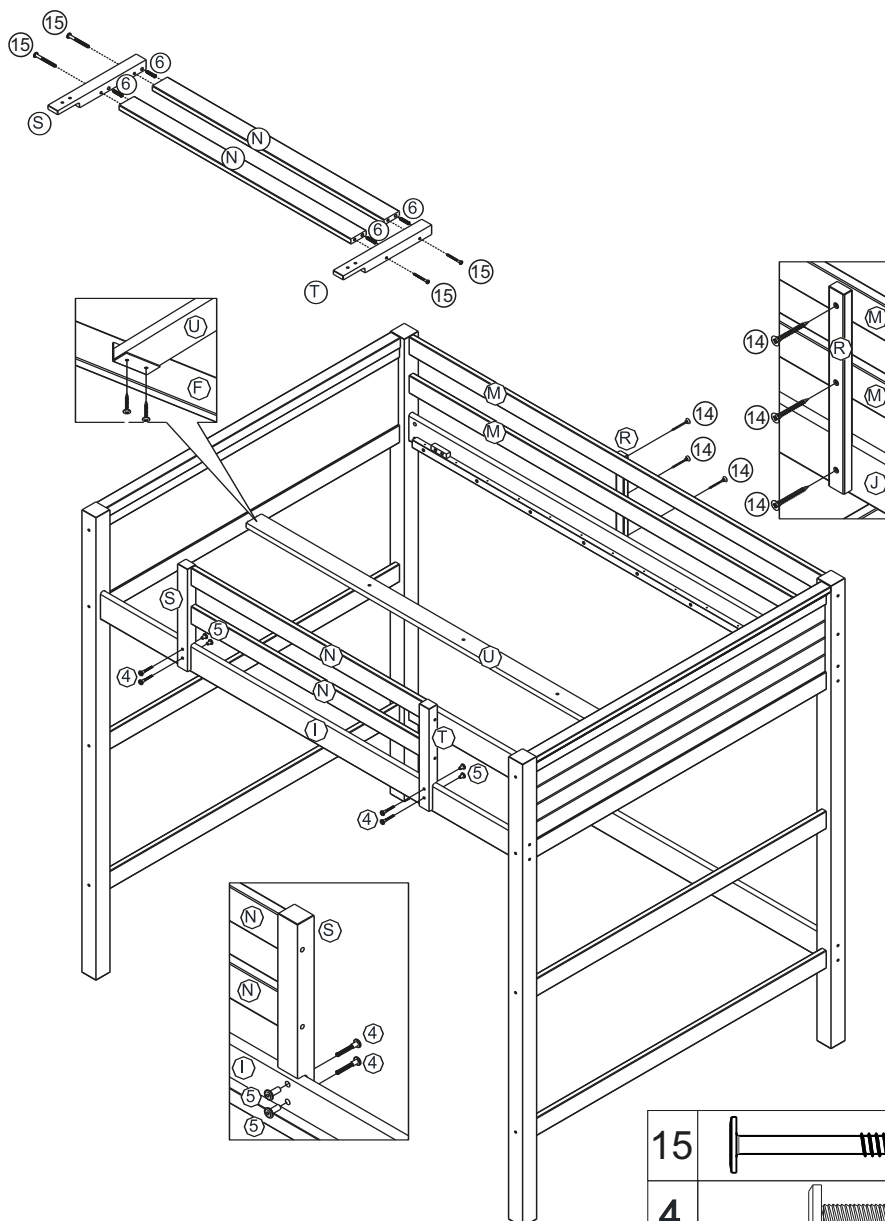
ETAPA 4

Inserte clavijas de madera (6) en los extremos de las barandas cortas (N). Fije las barandas cortas (N) a las patas de la baranda corta (S y T) con conectores para madera (15).

Fije las patas de la baranda corta (S y T) al soporte lateral superior (I) con conectores para madera (4) y pernos de brida hexagonal (5) como ilustrado más abajo.

Fije el soporte de baranda (R) a las barandas largas (M) y al soporte lateral superior (J) con tornillos para madera (14).

Fije el soporte para listones (U) al travesaño central de cabecera (F) con tornillos para madera (11).



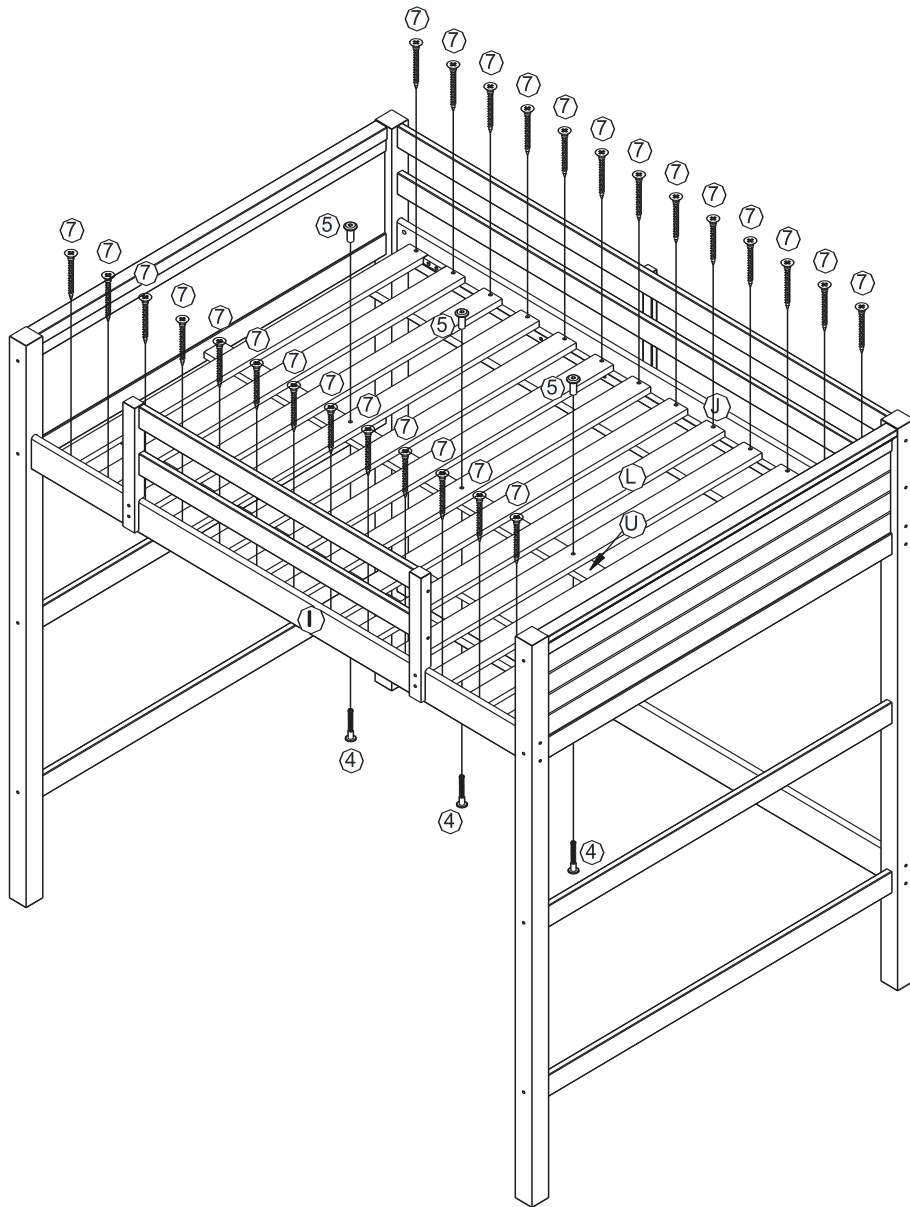
15		4 PZAS
4		4 PZAS
5		4 PZAS
6		4 PZAS
14		3 PZAS
11		4 PZAS

CAMA LITERA LOFT DOBLE

ETAPA 5

Fije los listones (L) a los soportes laterales superiores (I y J) con tornillos para madera (7).

Fije el soporte para listones (U) y los listones (L) con conectores para madera (4) y pernos de brida hexagonal (5). Ajuste todos los conectores para madera con la llave Allen (13).



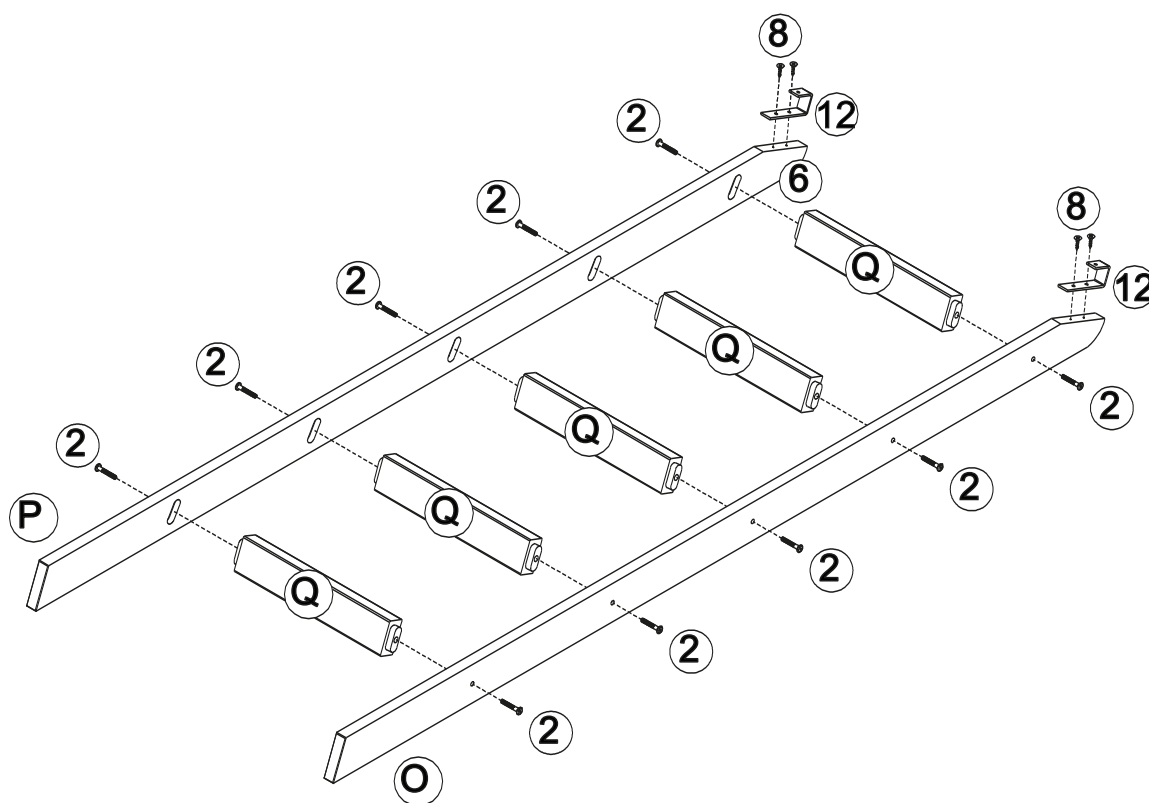
4		3 PZAS
5		3 PZAS
7		26 PZAS

CAMA LITERA LOFT DOBLE

ETAPA 6

Para ensamblar la escalera, inserte los escalones (Q) en los extremos de cada lado de la escalera (O y P). Fije el lado izquierdo de la escalera (O) y el lado derecho de la escalera (P) a los escalones (Q) con conectores para madera (2).

Fije los ganchos para la escalera (12) a los lados de la escalera (O y P) con tornillos (8).



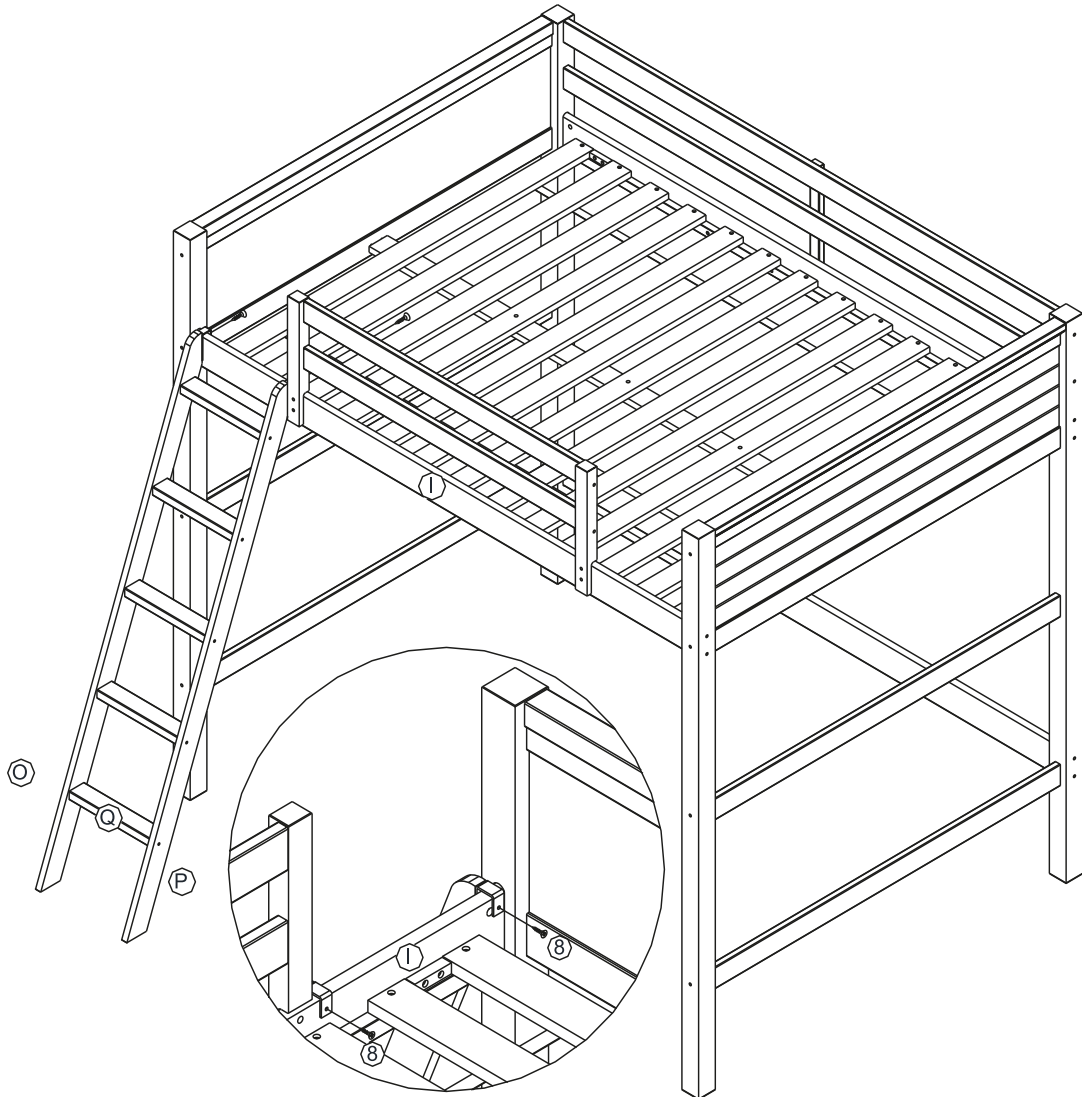
2		10 PZAS
8		4 PZAS
12		2 PZAS

CAMA LITERA LOFT DOBLE

ETAPA 7

Elija el lado derecho o izquierdo para instalar la escalera.

Fije la escalera al soporte lateral superior (1) con tornillos para madera (8) como ilustrado más abajo.



8		2 PZAS
---	---	--------

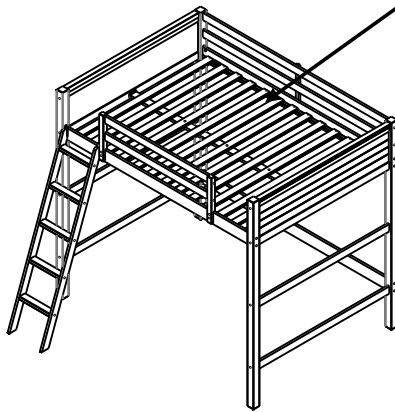
CAMA LITERA LOFT DOBLE



PRECAUCIÓN: Esta unidad está diseñada para ser utilizada únicamente con los productos y/o pesos máximos indicados. Su uso con otros productos y/o productos más pesados que los pesos máximos indicados puede provocar inestabilidad o causar lesiones.

NO PERMITA QUE LOS NIÑOS HAGAN PAYASADAS SOBRE O DEBAJO DE LA CAMA Y PROHIBA QUE SALTEN SOBRE ELLA.

NO PERMITA QUE NIÑOS MENORES DE 6 AÑOS DUERMAN EN LA CUCHETA SUPERIOR. LA CAMA ESTÁ DISEÑADA PARA NIÑOS DESDE 6 AÑOS HASTA LA ADOLESCENCIA TEMPRANA.



UTILICE SOLAMENTE COLCHONES CON RESORTES EN ESPIRAL EN LA CAMA LITERA. EL NO RESPETAR ESTO PUEDE CAUSAR LESIONES.

UTILICE ÚNICAMENTE COLCHONES DE 189-191 CM (74 1/2"-75 1/2") DE LARGO Y 134-137 CM (53" - 54") DE ANCHO. ASEGÚRESE DE QUE EL ESPESOR DEL COLCHÓN NO EXCEDA 15 CM (6").

Listo! Ha terminado de ensamblar su cama litera.

NO DEVUELVA EL PRODUCTO A LA TIENDA. Si falta una pieza o está dañada, comuníquese con nuestro Departamento de Servicio al Cliente. Reemplazaremos la pieza **SIN** costo alguno

TÉL. # : 1-800-267-1739

Correo electro cs@dhpffurniture.com

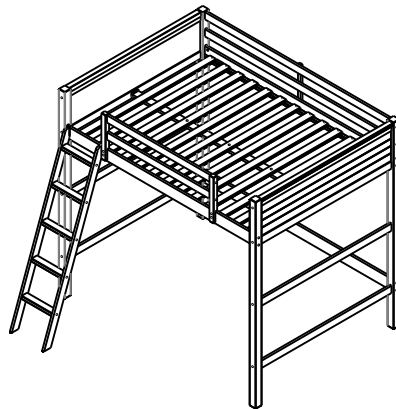
GRAND LIT MEZZANINE

Modèle No:	Code UPC:	Couleur:
DA8237	0-65857-18842-4	ESPRESSO
DA8237W	0-65857-18843-1	BLANC
DA8237BK	0-65857-20237-3	NOIR
DA8237BL	0-65857-20238-0	BLEU
DA8237GR	0-65857-24420-5	GRIS

Félicitations pour votre dernier achat d'un meuble ! Les meubles de la ligne **Dorel Living** ont été conçus ayant en tête la qualité, la commodité et le style. Nous sommes convaincus que ce meuble vous servira durant de nombreuses années avec un confort exceptionnel.

Nous vous encourageons à vous familiariser avec les caractéristiques de votre nouveau meuble avant de commencer l'assemblage ; prenez donc quelques minutes pour lire ce manuel. Il contient de l'information importante concernant notre garantie et des conseils d'entretien pour vous assurer de garder votre meuble aussi beau qu'aux premiers jours.

Pour trouver d'autres idées inspirantes, veuillez visiter notre site web à www.dorelliving.com
Vous pouvez aussi souscrire à notre page [Facebook et Instagram](#) pour être à la fine pointe de toutes les dernières tendances.



Date d'achat: ____ / ____ / ____

Numéro de lot: _____

Numéro du Manuel d'Instructions : B34DA823703-136832

(sur la boîte)

Des questions, des préoccupations, des pièces manquantes? La satisfaction du client est importante pour nous chez Dorel Asia. **CONTACTEZ NOTRE SERVICE À LA CLIENTÈLE AVANT DE RETOURNER LE PRODUIT AU DÉTAILLANT.**

cs@dhpurniture.com

1-800-267-1739

Lundi - Vendredi 9:00 am to 9:00 pm (Heure de l'Est)

Samedi 10 am to 6:30 pm (Heure de l'Est)

Dimanche 11 am to 7 pm (Heure de l'Est)

DHP Consumer Services

12345 Albert-Hudon Boulevard, Suite 100

Montreal, Québec, Canada, H1G 3L1

NOTE: CE MANUEL D'INSTRUCTIONS CONTIENT INFORMATION DE SÉCURITÉ IMPORTANTE. VEUILLEZ LE LIRE ET LE CONSERVER POUR RÉFÉRENCE ULTÉRIEURE.

SERVICE À LA CLIENTÈLE

Vous pouvez également nous contacter en écrivant à l'adresse ci-dessous. S'il vous plaît inclure le numéro de modèle du produit, la couleur et une description détaillée de votre demande.

DHP Consumer Services
12345 Albert-Hudon Boulevard, Suite 100
Montreal, Québec
Canada, H1G 3L1

NOTES ET INSTALLATION

- * LIRE ATTENTIVEMENT CHAQUE ÉTAPE AVANT DE COMMENCER. IL EST TRÈS IMPORTANT QUE CHAQUE ÉTAPE SOIT EXÉCUTÉE DANS L'ORDRE APPROPRIÉ. SI CES ÉTAPES NE SONT PAS SUIVIES DANS L'ORDRE, DES DIFFICULTÉS D'ASSEMBLAGE SE PRODUIRONT ET PEUVENT ENTRAÎNER DES BLESSURES.
- * **ATTENTION:** ASSEMBLAGE PAR UN ADULTE REQUIS.
- * ASSUREZ-VOUS QUE TOUTES LES PIÈCES SONT INCLUSES. TRAVAILLEZ DANS UN ENDROIT SPACIEUX, PRÉFÉRABLEMENT SUR UNE SURFACE LISSE ET DOUCE.
- * DEUX PERSONNES SONT REQUISES POUR L'ASSEMBLAGE.
- * LA PLUPART DES PLANCHES SONT ÉTIQUETÉES OU ESTAMPILLÉES SUR LE CÔTÉ NON-FINI.
- * UN TOURNEVIS À TÊTE CRUCIFORME (NON INCLUS) EST NÉCESSAIRE.
- * UN MAILLET EN CAOUTCHOUC (NON INCLUS) EST RECOMMANDÉ POUR FACILITER L'ASSEMBLAGE.
- * LE LIT EST CONÇU POUR DES ENFANTS DE 6 ANS JUSQU'À JEUNES ADOLESCENTS.

SOIN, NETTOYAGE ET ENTRETIEN

Époussetez régulièrement avec un chiffon doux et sec. Nous ne recommandons pas l'utilisation de produits nettoyants ou de cire sur notre mobilier laqué car cela pourrait endommager la finition. Gardez les solvants, alcools, vernis à ongles et décapants loin des surfaces de votre mobilier en bois franc. Utilisez un service de nettoyage professionnel pour nettoyer le tissu.

Vérifiez régulièrement tous les boulons, vis et fixations et serrez-les si nécessaire.

GARANTIE LIMITÉE DE 1 AN

Dorel garantit que son produit est exempt de défauts de matériaux et de fabrication et accepte de remédier à un tel défaut. Cette garantie couvre un (1) an à partir de la date d'achat originale. Cette garantie est valable uniquement sur présentation d'une preuve d'achat. Cette garantie se limite exclusivement à la réparation ou au remplacement de pièces défectueuses du mobilier et aucun travail d'assemblage n'est inclus. Cette garantie ne s'applique pas à un produit qui a été assemblé incorrectement, soumis à une mauvaise utilisation ou abus, ou qui a été modifié ou réparé de quelque façon. L'usure, les déchirures ou la décoloration du tissu ne sont pas couverts par cette garantie (le cas échéant). Cette garantie vous donne des droits légaux spécifiques et vous pouvez également avoir d'autres droits qui varient d'un État à l'autre ou d'une province à l'autre.



AVERTISSEMENT: Si ce produit est endommagé, et/ou des pièces sont brisées ou manquantes, NE PAS UTILISER.



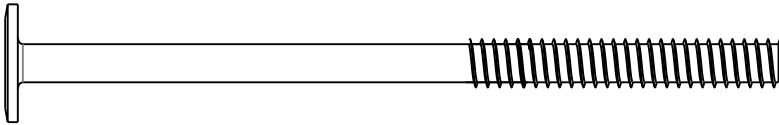
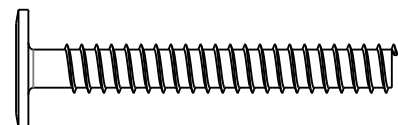

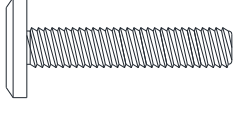
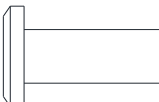

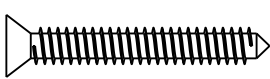

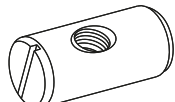
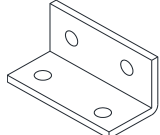

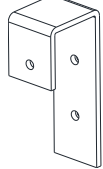
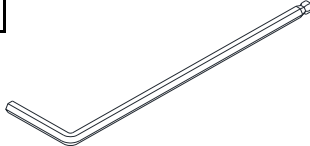
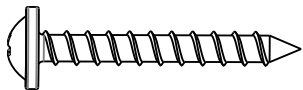
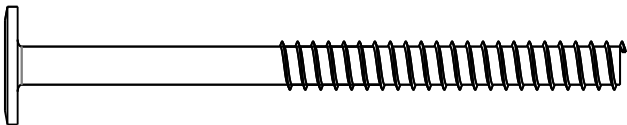
MISE EN GARDE

- * **DANGER D'ÉTRANGLEMENT** – NE JAMAIS ATTACHER OU SUSPENDRE D'ARTICLES SUR AUCUNE PARTIE DU LIT SUPERPOSÉ QUI NE SONT PAS CONÇUS POUR ÊTRE UTILISÉ AVEC LE LIT; PAR EXEMPLE, MAIS NE SE LIMITANT PAS À DES CROCHETS, CEINTURES ET CORDES À DANSER.
- * SUIVEZ LES INFORMATIONS SUR LES MISES EN GARDE INSCRITES SUR LA STRUCTURE DU LIT SUPERPOSÉ SUPÉRIEUR ET SUR LA BOÎTE. NE PAS ENLEVER L'ÉTIQUETTE DE MISE EN GARDE SUR LE LIT.
- * LA PLATEFORME DE MATELAS EST CONÇUE POUR SUPPORTER UN MATELAS SANS AVOIR BESOIN D'UN SUPPORT DE MATELAS OU D'UN SOMMIER.
- * TOUJOURS UTILISER LE FORMAT DE MATELAS OU DE SUPPORT DE MATELAS RECOMMANDÉ, OU LES DEUX, POUR AIDER À PRÉVENIR LES RISQUES PROBABLES DE PIÉGAGE OU DE CHUTES.

- * UTILISEZ UNIQUEMENT DES MATELAS DE 74.5"-75.5" (188-191 CM) DE LONG PAR 53" - 54" (134-137 CM) DE LARGE . ASSUREZ-VOUS QUE L'ÉPAISSEUR DU MATELAS N'EXCÈDE PAS 6" (15 CM). LA SURFACE DU MATELAS DOIT ÊTRE À ENVIRON 5" (12.7CM) EN DESSUS DU BORD SUPÉRIEUR DES BARRIÈRES DE LIT.
- * NE PAS PERMETTRE AUX ENFANTS DE MOINS DE 6 ANS D'UTILISER LE LIT SUPÉRIEUR.
- * TOUJOURS UTILISER LES BARRIÈRES SUR LES DEUX CÔTÉS LONGS DU LIT SUPÉRIEUR. SI LE LIT SUPERPOSÉ SERA PLACÉ À CÔTÉ D'UN MUR. LA BARRIÈRE DE LA PLEINE GRANDEUR DU LIT DOIT ÊTRE PLACÉE CONTRE LE MUR POUR PRÉVENIR LES RISQUES DE PIÉGAGE ENTRE LE LIT ET LE MUR (APPLICABLE POUR LES LITS SUPERPOSÉS AVEC BARRIÈRES PLEINE LONGUEUR SUR UN CÔTÉ).
- * VÉRIFIEZ PÉRIODIQUEMENT ET ASSUREZ-VOUS QUE LA BARRIÈRE, L'ÉCHELLE ET LES AUTRES COMPOSANTS SONT EN PLACE CORRECTEMENT, SANS DOMMAGES, ET QUE TOUTES LES VIS DE RACCORDEMENT SONT BIEN SERRÉES.
- * NE PAS JOUER SUR OU SOUS LE LIT ET INTERDICTION DE SAUTER SUR LE LIT.
- * NE PAS SUBSTITUER DE PIÈCES. CONTACTEZ LE SERVICE À LA CLIENTÈLE POUR DES PIÈCES DE REMPLACEMENT.
- * L'UTILISATION D'UNE VEILLEUSE REPRÉSENTE UNE PRÉCAUTION DE SÉCURITÉ SUPPLÉMENTAIRE POUR L'ENFANT QUI OCCUPE LE LIT SUPÉRIEUR.
- * L'UTILISATION D'UN MATELAS D'EAU OU MATELAS GONFLABLE EST INTERDITE.
- * TOUJOURS UTILISER L'ÉCHELLE POUR MONTER OU DESCENDRE DU LIT SUPÉRIEUR.
- * INTERDIRE PLUS D'UNE PERSONNE SUR LE LIT SUPÉRIEUR.
- * CONSERVEZ CES INSTRUCTIONS POUR RÉFÉRENCE ULTÉRIEURE.

GRAND LIT MEZZANINE


LISTE DE QUINCAILLERIE


<p>1</p>  <p>Ø1/4" X 15 X 100 mm</p>	<p>2</p>  <p>6.5mm x 48mm</p>	
<p>RACCORDEMENT POUR BOIS 12 PCES</p>	<p>RACCORDEMENT POUR BOIS 10 PCES</p>	
<p>3</p>  <p>6.5mm x 100mm</p>	<p>4</p>  <p>Ø1/4" X 15 X 30 mm</p>	
<p>RACCORDEMENT POUR BOIS 20 PCES</p>	<p>RACCORDEMENT POUR BOIS 7 PCES</p>	
<p>5</p>  <p>Ø1/4 X 15 x 20 mm</p>	<p>6</p>  <p>Ø10 x 50 mm</p>	<p>7</p>  <p>Ø4 x 35 mm</p>
<p>CREUSE 7 PCES</p>	<p>GOUJON DE BOIS 24 PCS</p>	<p>VIS À BOIS 26 PCES</p>
<p>8</p>  <p>Ø4 x 20 mm</p>	<p>9</p>  <p>Ø1/4" x 12 x 15 mm</p>	<p>10</p> 
<p>VIS À BOIS 6 PCES</p>	<p>ÉCROU TRANSVERSAL 12 PCES</p>	<p>ÉQUERRE EN L 2 PCES</p>
<p>11</p>  <p>Ø4 x 20 mm</p>	<p>12</p> 	<p>13</p> 
<p>VIS À BOIS 8 PCES</p>	<p>CROCHET ÉCHELLE 2 PCES</p>	<p>CLÉ ALLEN 1 PCE</p>
<p>14</p>  <p>4mm x 35mm</p>	<p>15</p>  <p>6.5mm x 80mm</p>	
<p>VIS À BOIS 3 PCES</p>	<p>RACCORDEMENT POUR BOIS 4 PCES</p>	

GRAND LIT MEZZANINE

QUINCAILLERIE





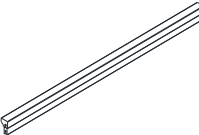
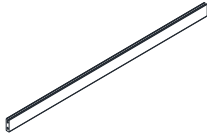
DA8237W (Blanc)	# de Paquet : <input type="checkbox"/> TDA8237W-00
DA8237 (Espresso) DA8237BK (Noir) DA8237BL (Bleu) DA8237GR (Gris)	# de Paquet : <input checked="" type="checkbox"/> TDA8237BK-00

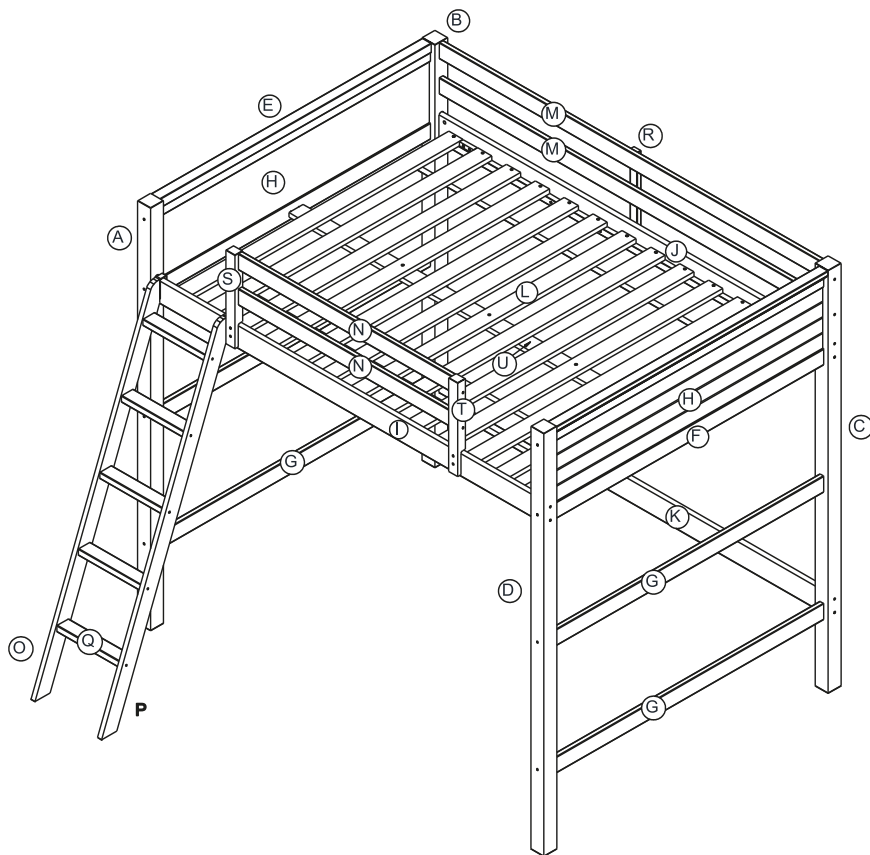
 **Remarque:** Sauf indication contraire dans les instructions, ne pas resserrer complètement les vis et les boulons, jusqu'à ce que l'assemblage soit terminé.

 Les vis et boulons utilisés durant chaque étape sont illustrés en taille réelle au coin inférieur droit de la page.

GRAND LIT MEZZANINE

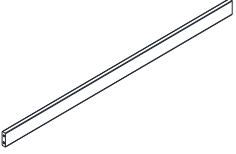
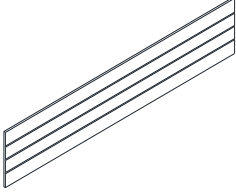
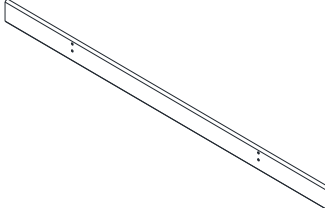
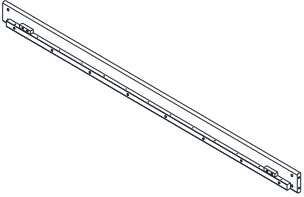
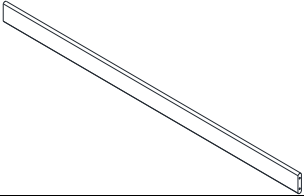
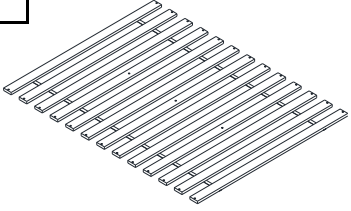
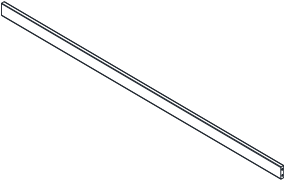
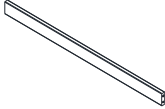


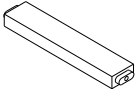



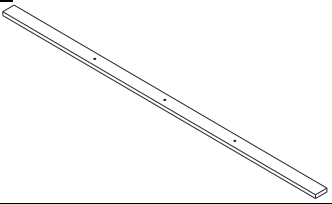
LISTE DE PIÈCES

<p>A</p> 	<p>B</p> 	<p>C</p> 
<p>PIED AVANT GAUCHE 1 PCE</p>	<p>PIED ARRIÈRE GAUCHE 1 PCE</p>	<p>PIED ARRIÈRE DROIT 1 PCE</p>
<p>D</p> 	<p>E</p> 	<p>F</p> 
<p>PIED AVANT DROIT 1 PCE</p>	<p>TRAVERSE SUPÉRIEURE TÊTE DE LIT 2 PCES</p>	<p>TRAVERSE CENTRALE TÊTE DE LIT 2 PCES</p>



GRAND LIT MEZZANINE

LISTE DE PIÈCES

<p>G</p> 	<p>H</p> 	<p>I</p> 
<p>TRAVERSE INFÉRIEURE TÊTE DE LIT 4 PCES</p>	<p>TÊTE DE LIT 2 PCES</p>	<p>BARRE LATÉRALE SUPÉRIEURE (avec 4 trous) 1 PCE</p>
<p>J</p> 	<p>K</p> 	<p>L</p> 
<p>BARRE LATÉRALE SUPÉRIEURE (avec 1 trou) 1 PCE</p>	<p>BARRE LATÉRALE INFÉRIEURE 1 PCE</p>	<p>LATTES 1 PCE</p>
<p>M</p> 	<p>N</p> 	<p>O</p> 
<p>BARRIÈRE LONGUE 2 PCES</p>	<p>BARRIÈRE COURTE 2 PCES</p>	<p>CÔTÉ GAUCHE ÉCHELLE 1 PCE</p>
<p>P</p> 	<p>Q</p> 	<p>R</p> 
<p>CÔTÉ DROIT ÉCHELLE 1 PCE</p>	<p>MARCHE 5 PCES</p>	<p>SUPPORT BARRIÈRE 1 PCE</p>
<p>S</p> 	<p>T</p> 	<p>U</p> 
<p>PIED BARRIÈRE COURTE GAUCHE 1 PCE</p>	<p>PIED BARRIÈRE COURTE DROIT 1 PCE</p>	<p>SUPPORT LATTES 1 PCE</p>

GRAND LIT MEZZANINE

PIÈCES

Pour des pièces de rechange, visitez www.dhpfurniture.com/fre/replacement-parts

IMPORTANT: La liste des références ci-dessous est propre à votre produit. Veuillez l'avoir sous la main lorsque vous appelez pour des pièces de rechange.



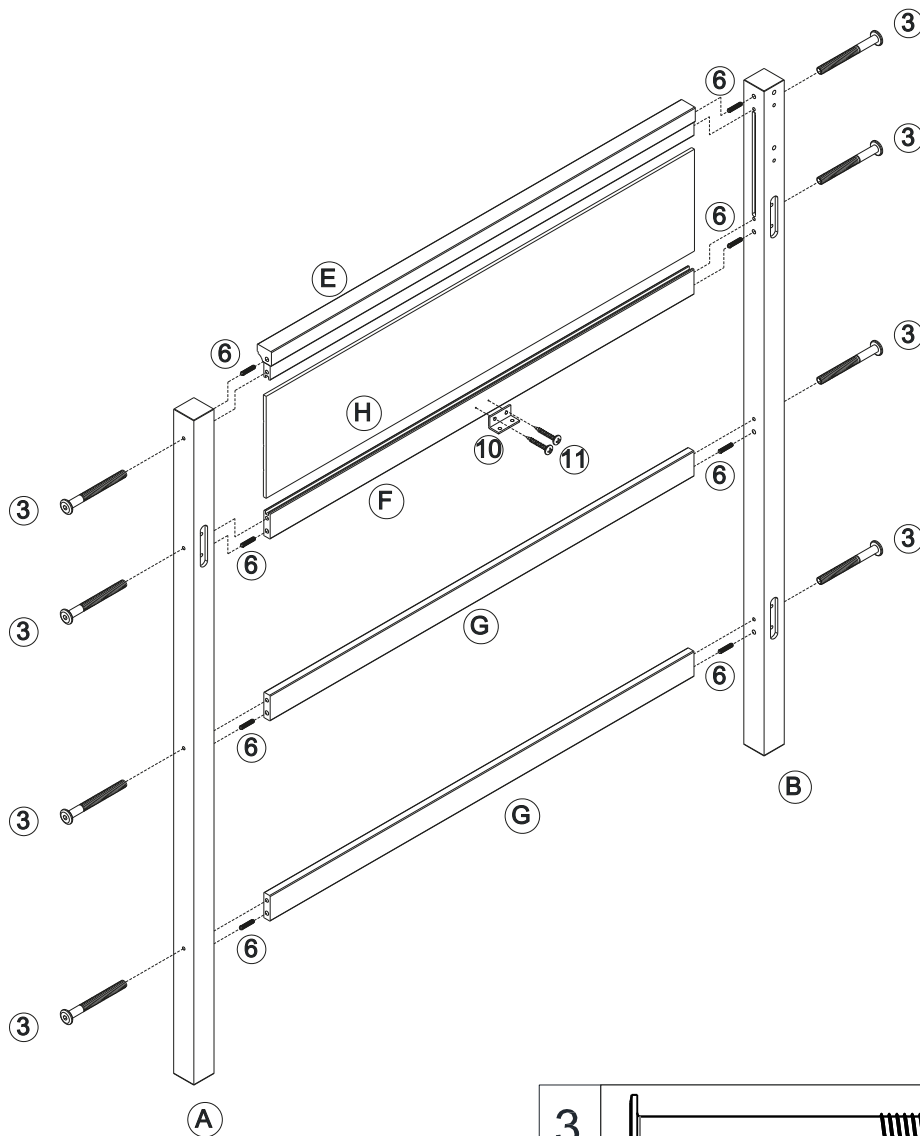
Avant de jeter les boîtes en carton, assurez-vous qu'elles soient vides. Vérifiez que vous avez reçu tous les composants nécessaires à l'assemblage en les comparant avec le tableau des pièces (illustrations disponibles dans la section en anglais).

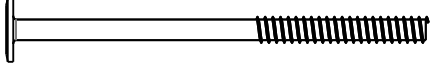


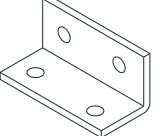
ÉTIQUETTE DES PIÈCES					
LISTE DES PIÈCES	DA8237 (Espresso)	DA8237W (Blanc)	DA8237BK (Noir)	DA8237BL (Bleu)	DA8237GR (Gris)
A	T994670	T994880	T995090	T995300	T995510
B	T994680	T994890	T995100	T995310	T995520
C	T994690	T994900	T995110	T995320	T995530
D	T994700	T994910	T995120	T995330	T995540
E	T994710	T994920	T995130	T995340	T995550
F	T994720	T994930	T995140	T995350	T995560
G	T994730	T994940	T995150	T995360	T995570
H	T994740	T994950	T995160	T995370	T995580
I	T994750	T994960	T995170	T995380	T995590
J	T994760	T994970	T995180	T995390	T995600
K	T994770	T994980	T995190	T995400	T995610
L	T994780	T994990	T995200	T995410	T995620
M	T994790	T995000	T995210	T995420	T995630
N	T994800	T995010	T995220	T995430	T995640
O	T994810	T995020	T995230	T995440	T995650
P	T994820	T995030	T995240	T995450	T995660
Q	T994830	T995040	T995250	T995460	T995670
R	T994840	T995050	T995260	T995470	T995680
S	T994850	T995060	T995270	T995480	T995690
T	T994860	T995070	T995280	T995490	T995700
U	T994870	T995080	T995290	T995500	T995710

GRAND LIT MEZZANINE

ÉTAPE 1

Insérez des goujons de bois (6) dans les extrémités de la traverse supérieure de tête de lit (E), de la traverse centrale de tête de lit (F) et des traverses inférieures de tête de lit (G). Insérez la tête de lit (H) dans les rainures de la traverse supérieure de tête de lit (E) et de la traverse centrale de tête de lit (F). Fixez la tête de lit assemblée (E, H, F) et les traverses inférieures (G) aux pieds gauches (A et B) avec des raccords pour bois (3). Servez-vous de la clé Allen (13) pour serrer les raccords pour bois. Fixez l'équerre en L (10) à la traverse centrale de tête de lit (F) avec des vis à bois (11).

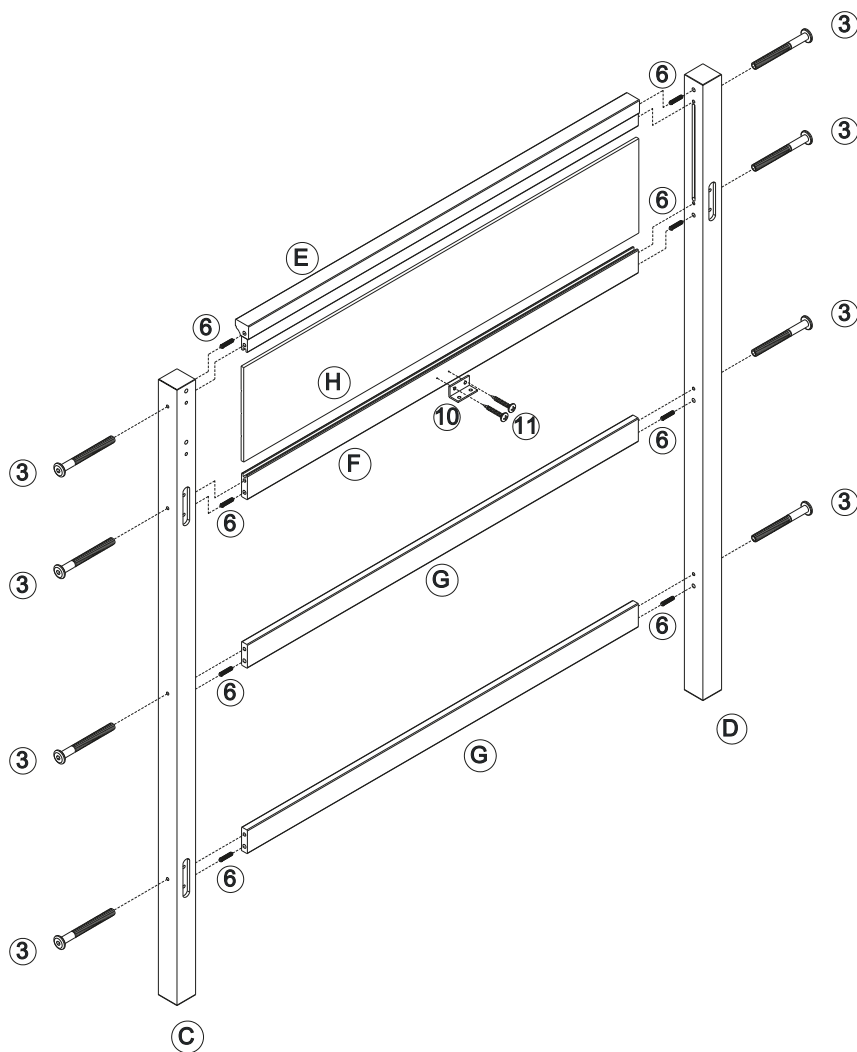


3		8 PCES
6		8 PCES
11		2 PCES
10		1 PCE

GRAND LIT MEZZANINE

ÉTAPE 2

Insérez des goujons de bois (6) dans les extrémités de la traverse supérieure de tête de lit (E), de la traverse centrale de tête de lit (F) et des traverses inférieures de tête de lit (G). Insérez la tête de lit (H) dans les rainures de la traverse supérieure de tête de lit (E) et de la traverse centrale de tête de lit (F). Fixez la tête de lit assemblée (E, H, F) et les traverses inférieures (G) aux pieds droits (C et D) avec des raccordements pour bois (3). Servez-vous de la clé Allen (13) pour serrer les raccordements pour bois. Fixez l'équerre en L (10) à la traverse centrale de tête de lit (F) avec des vis à bois (11).



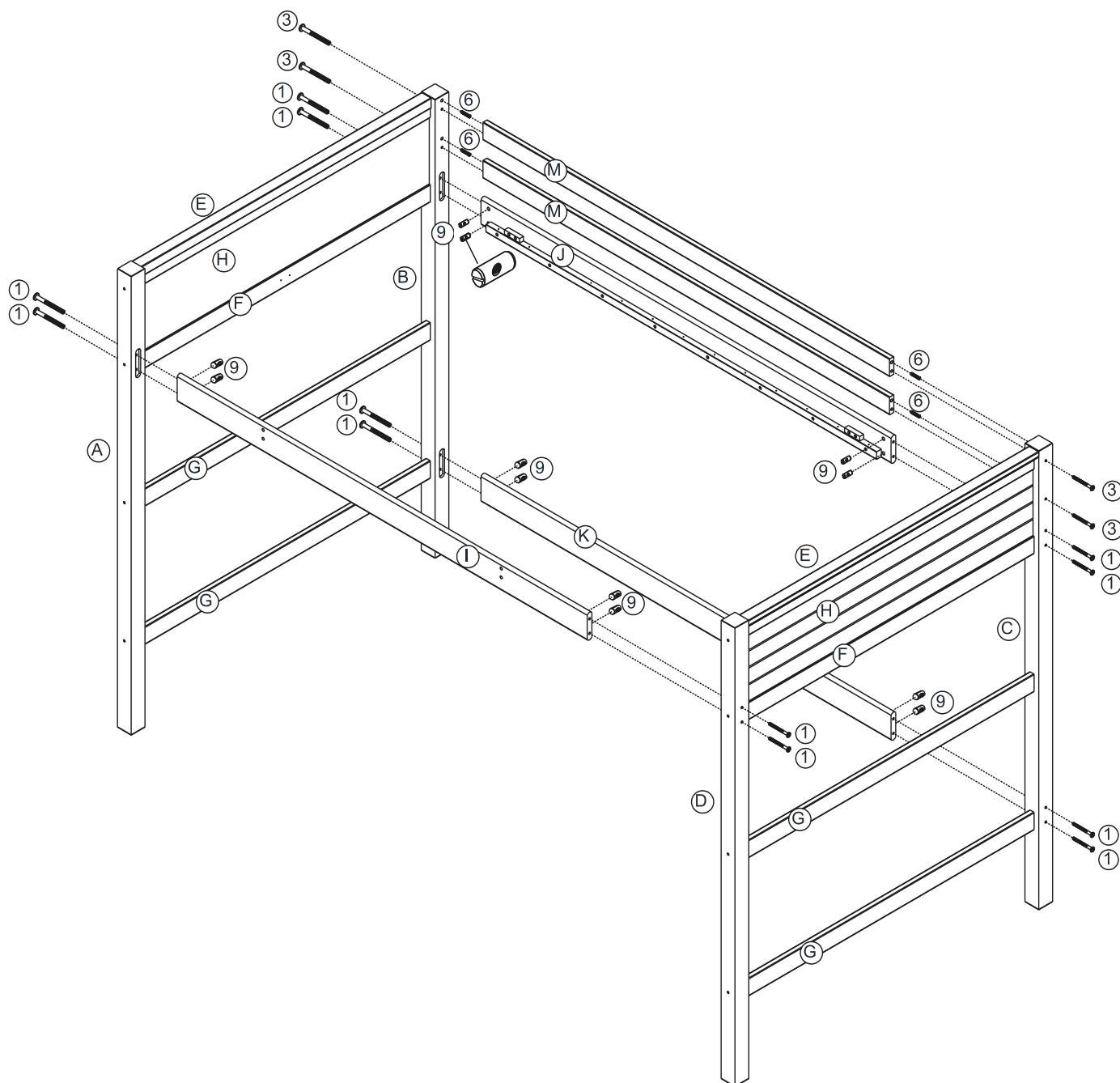
3		8 PCES
6		8 PCES
11		2 PCES
10		1 PCE

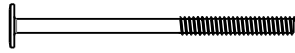
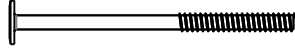


GRAND LIT MEZZANINE

ÉTAPE 3

Insérez des goujons de bois (6) dans les extrémités des barrières longues (M). Fixez les barrières longues (M) aux pieds arrière (B et C) avec des raccords pour bois (3) à l'aide de la clé Allen (13).

Insérez des écrous transversaux (9) dans les barres latérales supérieures (I et J) et dans la barre latérale inférieure (K). Fixez la barre latérale supérieure (J) et la barre latérale inférieure (K) aux pieds arrière (B et C) avec des raccords pour bois (1). Fixez la barre latérale supérieure (I) aux pieds avant (A et D) avec des raccords pour bois (1). Serrez tous les raccords pour bois à l'aide de la clé Allen (13).



1		12 PCES
3		4 PCES
6		4 PCES
9		12 PCES

GRAND LIT MEZZANINE

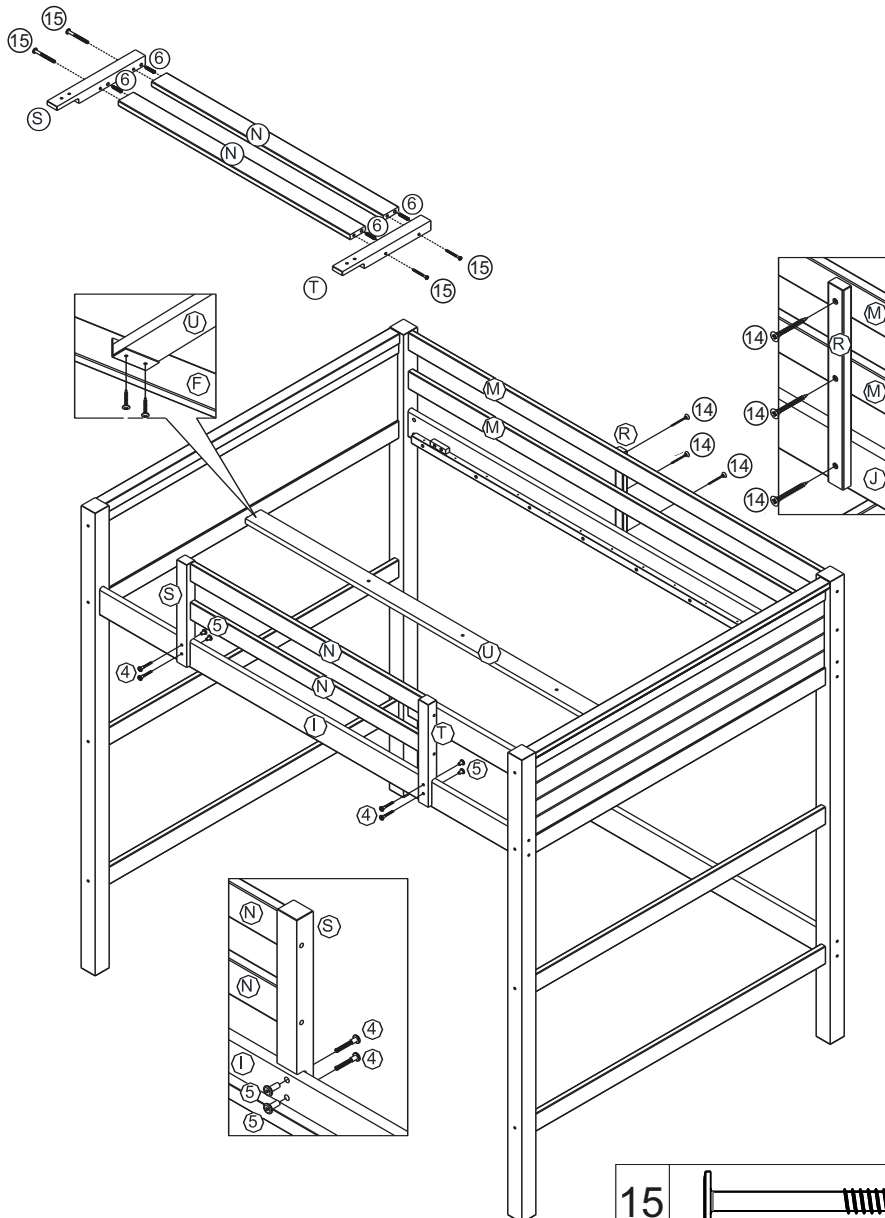
ÉTAPE 4

Insérez des goujons de bois (6) dans les extrémités des barrières courtes (N). Fixez les barrières courtes (N) aux pieds des barrières longues (S et T) avec des raccords pour bois (15).

Fixez les pieds des barrières courtes (S et T) à la barre latérale supérieure (I) avec des raccords pour bois (4) et des vis à tête hexagonale creuse (5) tel qu'illustré ci-dessous.

Fixez le support de barrière (R) aux barrières longues (M) et à la barre latérale supérieure (J) avec des vis à bois (14).

Fixez le support des lattes (U) à la traverse centrale de tête de lit (F) avec des vis à bois (11).



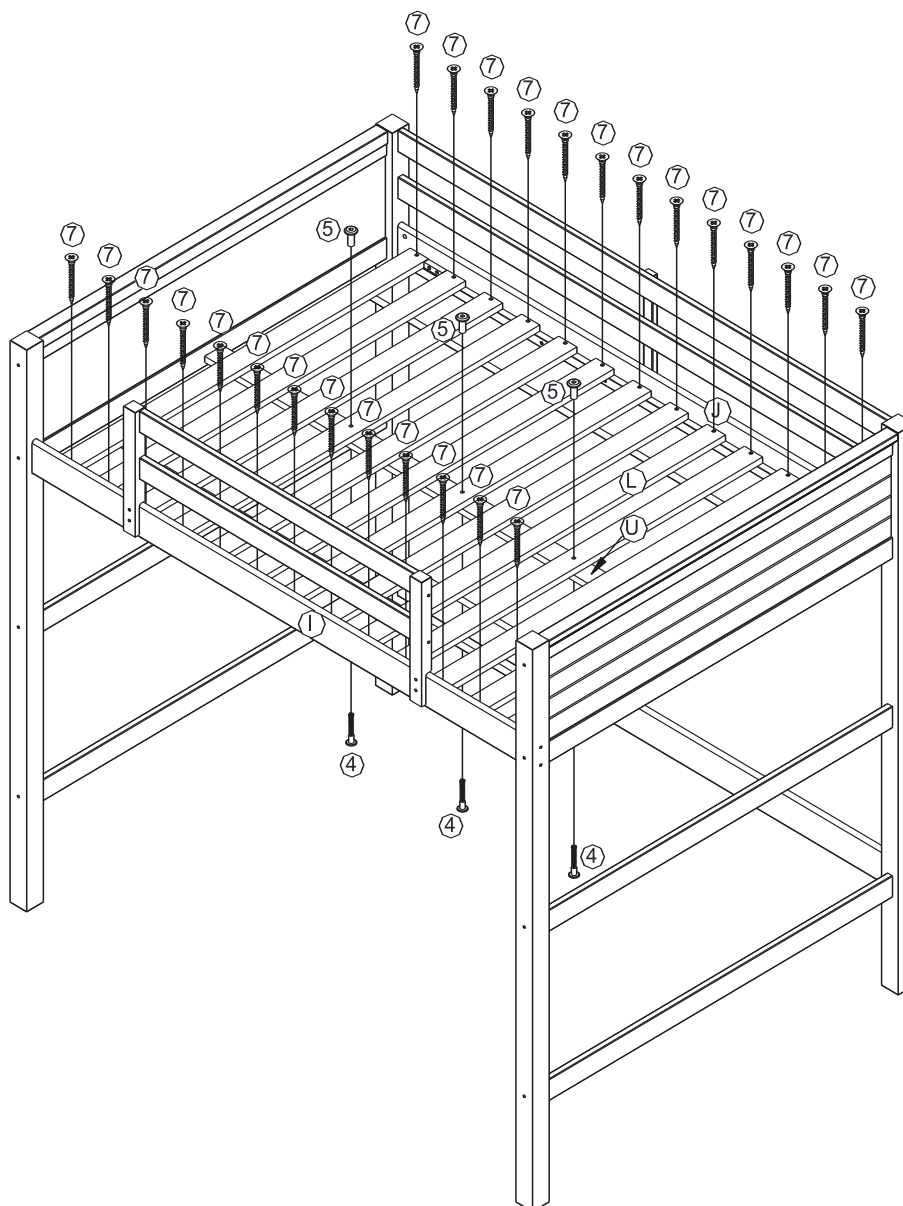
15		4 PCES
4		4 PCES
5		4 PCES
6		4 PCES
14		3 PCES
11		4 PCES

GRAND LIT MEZZANINE

ÉTAPE 5

Fixez les lattes (L) aux barres latérales supérieures (I et J) avec des vis à bois (7).

Fixez le support des lattes (U) et les lattes (L) avec des raccords pour bois (4) et des vis à tête hexagonale creuse (5). Serrez tous les raccords pour bois à l'aide de la clé Allen (13).

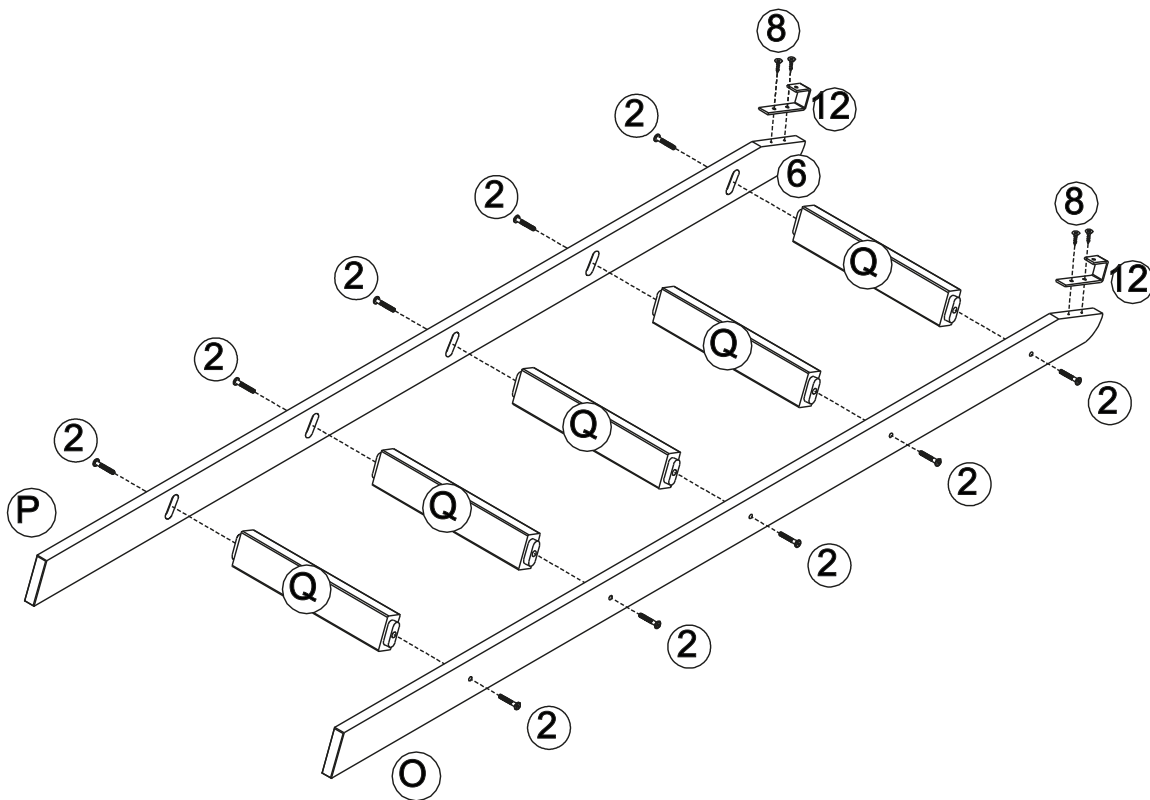


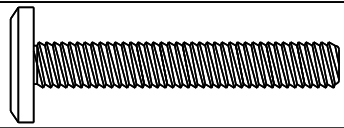

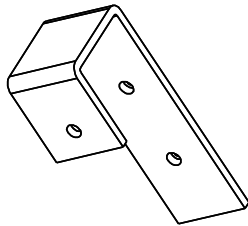
4		3 PCES
5		3 PCES
7		26 PCES

GRAND LIT MEZZANINE

ÉTAPE 6

Pour assembler l'échelle, insérez les marches (Q) dans les côtés de l'échelle (O et P). Fixez le côté gauche de l'échelle (O) et le côté droit de l'échelle (P) aux marches (Q) avec des raccords pour bois (2). Fixez les crochets de l'échelle (12) aux côtés de l'échelle (O et P) avec des vis (8).



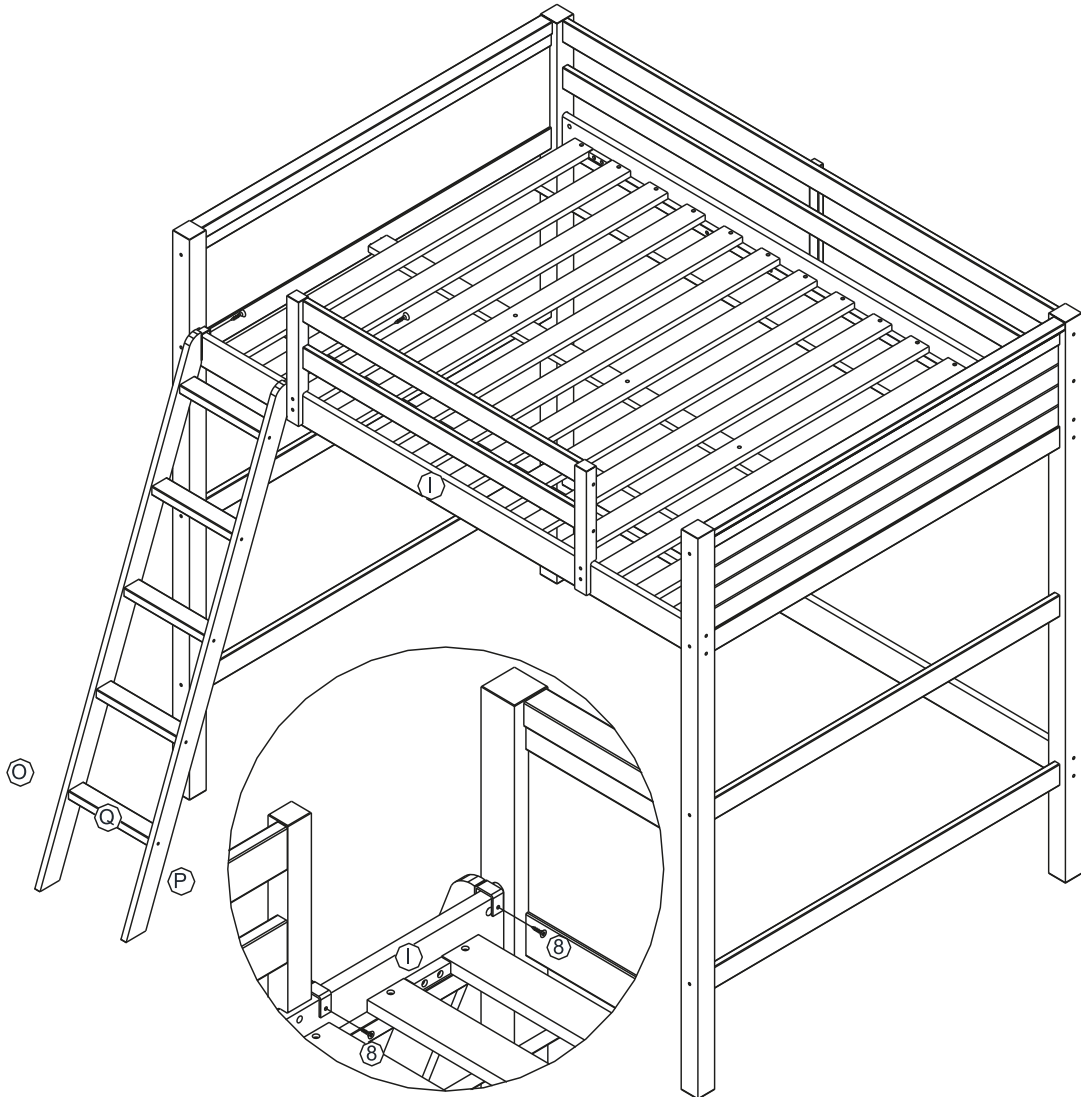
2		10 PCES
8		4 PCES
12		2 PCES

GRAND LIT MEZZANINE

ÉTAPE 7

Choisissez le côté sur lequel vous désirez installer l'échelle.

Ensuite, fixez l'échelle à la barre latérale supérieure (1) avec les vis à bois (8), tel qu'illustré ci-dessous.



8		2 PCES
---	---	--------

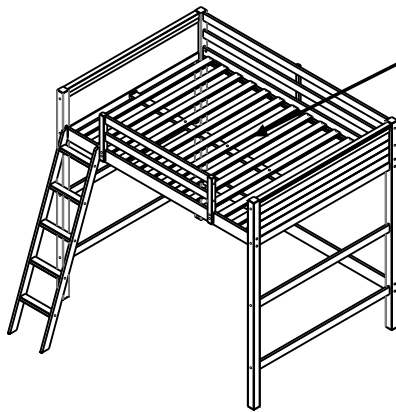
GRAND LIT MEZZANINE



ATTENTION: Cette unité est destinée à être utilisée seulement avec des produits et/ou les poids maximum indiqués. L'utilisation avec d'autres produits et/ou des produits plus lourds que les poids maximum indiqués peut entraîner une instabilité ou causer des blessures.

NE PAS PERMETTRE LES JEU DE BATAILLE SUR OU SOUS LE LIT ET NE PAS SAUTER SUR LE LIT.

NE PAS PERMETTRE À DES ENFANTS ÂGÉS DE MOINS DE 6 ANS D'UTILISER LE LIT SUPÉRIEUR. LE LIT EST CONÇU POUR DES ENFANTS DONT L'ÂGE SE SITUE À PARTIR DE 6 ANS JUSQU'À JEUNES ADOLESCENTS.



UTILISEZ SEULEMENT DES MATELAS À RESSORTS SUR LES LITS SUPÉRIEUR ET INFÉRIEUR. À DÉFAUT DE QUOI, DES BLESSURES PEUVENT SE PRODUIRE.

UTILISEZ SEULEMENT DES MATELAS DE 189-191 CM (74 1/2"-75 1/2") DE LONG ET 134-137 CM (53" - 54") DE LARGE SUR LE LIT SUPÉRIEUR. ASSUREZ-VOUS QUE L'ÉPAISSEUR DU MATELAS N'EXCÈDE PAS 15 CM (6").

C'est tout! Vous avez terminé l'assemblage de votre lit mezzanine!

NE PAS RETOURNER CE PRODUIT AU DÉTAILLANT.

Si une pièce est manquante ou endommagée, contactez notre Service à la clientèle. Nous remplacerons la pièce **GRATUITEMENT**.

TÉL. # : 1-800-267-1739

Courriel : cs@dhpfniture.com